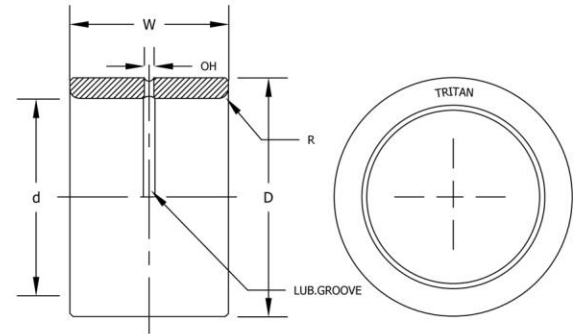


Inner Rings

MI Series Inner Rings are designed to be used with MR Series Heavy Duty Needle Roller Bearings when it is not practical to use the shaft as the inner raceway.

They are designed with a groove and oil hole to facilitate lubrication.



Shaft Diameter (in.)	Bore (d)	Outside Diameter (D)	Width (W)	Bearing Designation	Approx. Wgt. (lbs.)	Used with Bearing
3/8	0.3750"	0.625"	0.75"	MI6N	0.05	MR10N
	0.3750"	0.625"	1.00"	MI6	0.07	MR10
7/16	0.4375"	0.625"	0.75"	MI7N	0.04	MR12N
	1/2	0.5000"	0.750"	0.75"	MI8N	0.05
0.5000"		0.750"	1.00"	MI8	0.06	MR12
9/16	0.5625"	0.750"	0.75"	MI9N	0.04	MR12N
	5/8	0.6250"	0.875"	0.75"	MI10N	0.06
0.6250"		0.875"	1.00"	MI10	0.08	MR14N
11/16	0.6875"	0.875"	0.75"	MI11N	0.05	MR14N
	3/4	0.7500"	1.000"	0.75"	MI12N	0.07
0.7500"		1.000"	1.00"	MI12	0.10	MR16N
13/16	0.8125"	1.000"	0.75"	MI13N	0.09	MR16N
	0.8125"	1.000"	1.00"	MI13	0.11	MR16
7/8	0.8750"	1.125"	1.00"	MI14N	0.11	MR18N
	0.8750"	1.125"	1.25"	MI14	0.13	MR18
15/16	0.9375"	1.125"	1.00"	MI15N	0.11	MR18N
	0.9375"	1.125"	1.25"	MI15	0.12	MR18
1	1.0000"	1.250"	1.00"	MI16N	0.13	MR20N
	1.0000"	1.250"	1.25"	MI16	0.16	MR20
1 1/16	1.0625"	1.375"	1.25"	MI17	0.16	MR22
1 1/8	1.1250"	1.375"	1.00"	MI18N	0.14	MR22N
	1.1250"	1.375"	1.25"	MI18	0.17	MR22
1 3/16	1.1875"	1.500"	1.25"	MI19	0.24	MR24
1 1/4	1.2500"	1.500"	1.00"	MI20N	0.19	MR24N
	1.2500"	1.500"	1.25"	MI20	0.22	MR24
1 3/8	1.3125"	1.625"	1.00"	MI21N	0.20	MR26N
	1.3125"	1.625"	1.25"	MI21	0.26	MR26
1 7/8	1.3750"	1.625"	1.25"	MI22-4S	0.24	MR26N
	1.3750"	1.750"	1.00"	MI22N	0.25	MR28N
1 7/16	1.4375"	1.750"	1.25"	MI22	0.32	MR28
1 1/2	1.5000"	1.750"	1.00"	MI23	0.27	MR28
	1.5000"	1.750"	1.25"	MI24N	0.18	MR28N
1 9/16	1.5625"	1.750"	1.25"	MI24	0.22	MR28
	1.5625"	1.875"	1.25"	MI25-4S	0.27	MR30
1 5/8	1.5625"	2.000"	1.25"	MI25	0.30	MR32
	1.6250"	2.000"	1.00"	MI26N	0.30	MR32N
1 11/16	1.6250"	2.000"	1.25"	MI26	0.38	MR32
	1.6875"	2.000"	1.25"	MI27	0.32	MR32

US Corporate Headquarters:
2100 Pacific Street
Hauppauge NY, 11788
www.tritanpt.com



Exclusively Distributed by:



888-4-Bearings

Inner Rings



Shaft Diameter (in.)	Bore (d)	Outside Diameter (D)	Width (W)	Bearing Designation	Approx. Wgt. (lbs.)	Used with Bearing
	1.6875"	2.000"	1.00"	MI27N	0.4	MR32N
1 3/4	1.7500"	2.250"	1.50"	MI28N	0.63	MR36N
	1.7500"	2.250"	1.75"	MI28	0.74	MR36
1 7/8	1.8750"	2.250"	1.75"	MI30	0.85	MR36
1 15/16	1.9375"	2.500"	1.75"	MI31	0.97	MR40
2	2.0000"	2.500"	1.50"	MI32N	0.74	MR40N
	2.0000"	2.500"	1.75"	MI32	0.87	MR40
2 3/16	2.1875"	2.750"	1.75"	MI35	1.06	MR44
2 1/4	2.2500"	2.750"	1.50"	MI36N	0.83	MR44N
	2.2500"	2.750"	1.75"	MI36	0.97	MR44
2 3/8	2.3750"	3.000"	1.75"	MI38	1.28	MR48
2 7/16	2.4375"	3.000"	1.75"	MI39	1.05	MR48
2 1/2	2.5000"	3.000"	1.50"	MI40N	0.92	MR48N
	2.5000"	3.000"	1.75"	MI40	1.07	MR48
2 3/4	2.7500"	3.250"	1.75"	MI44	1.17	MR52
2 15/16	2.9375"	3.500"	2.00"	MI47	1.58	MR56
3	3.0000"	3.500"	1.75"	MI48N	1.32	MR56
	3.0000"	3.500"	2.00"	MI48	1.43	MR56
3 1/8	3.1250"	3.750"	2.00"	MI50	1.88	MR60
3 1/4	3.2500"	3.750"	2.00"	MI52	1.52	MR60
3 3/8	3.3750"	4.000"	2.00"	MI54	2.04	MR64
3 1/2	3.5000"	4.000"	2.00"	MI56	1.83	MR64
3 3/4	3.7500"	4.250"	2.00"	MI60	1.75	MR68
3 7/8	3.8750"	4.500"	2.25"	MI62	3.25	MR72
4	4.0000"	5.000"	2.25"	MI64	4.38	MR80
4 1/4	4.2500"	5.000"	2.25"	MI68	5.24	MR80
4 1/2	4.5000"	5.500"	2.50"	MI72N	4.98	MR88N
	4.5000"	5.500"	3.00"	MI72	5.97	MR88
4 3/4	4.7500"	5.750"	3.00"	MI76	5.00	MR92
5	5.0000"	6.000"	2.5"	MI80N	5.93	MR96N
	5.0000"	6.000"	3.00"	MI80	7.12	MR96
5 1/2	5.5000"	6.500"	2.50"	MI88N	6.30	MR104N
	5.5000"	6.500"	3.00"	MI88	7.56	MR104
6	6.0000"	7.250"	3.00"	MI96	11.06	MR116
6 1/2	6.5000"	7.750"	3.00"	MI104	11.90	MR124
7	7.0000"	8.250"	3.00"	MI112	12.70	MR132
8	8.0000"	9.250"	3.00"	MI128	14.40	MR148

US Corporate Headquarters:
 2100 Pacific Street
 Hauppauge NY, 11788
www.tritanpt.com



Exclusively Distributed by:



888-4-Bearings