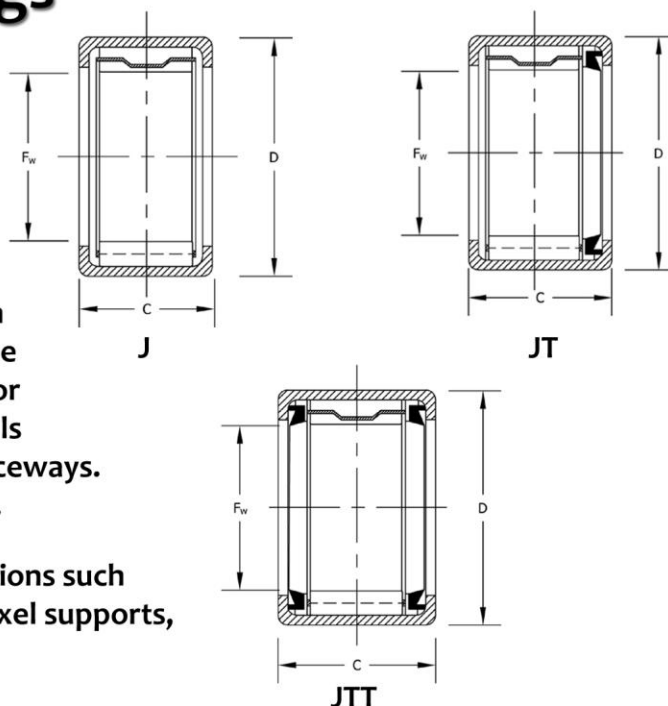


Drawn Cup Needle Roller Bearings

Drawn Cup needle bearings are designed to support radial loads and reduce friction between rotating components with a drawn outer shell acting as a raceway for the rollers. The low cross section of the drawn cup, provides the maximum load carrying within the smallest amount of space.

This caged design allows for high speed operation and maximum lubricant retention capability. Bearings with the OH suffix include an oil hole in the outer race for re-lubrication. Bearings with a T or TT in the prefix (example JTT1012) are constructed with 1 or 2 seals to retain lubricant & prevent contaminants from reaching the raceways. These bearings are easily installed with a press fit in the housing.

Drawn cup needle bearings are used in a wide variety of applications such as transmissions, transfer cases, steering and braking systems, axel supports, power tools, fax machines/copiers, and household appliances.



Shaft Diameter (in.)	Bore (Fw)	Outside Diameter (D)	Width (C)	Bearing Designation	Dynamic Load C (Lbs)	Static Load Co (Lbs)	Limiting Speed Oil (RPM)	Limiting Speed Grease (RPM)	Approx. Wgt. (lbs.)
3/16	0.1875"	0.34375"	0.375"	J36 OH	510	430	38000	25000	0.020
1/4	0.2500"	0.43750"	0.312"	J45 OH	500	390	30000	20000	0.020
	0.2500"	0.43750"	0.438"	J47 OH	760	680	30000	20000	0.020
	1.2500"	1.50000"	1.000"	J2016 OH	6480	12700	10000	6600	0.110
	1.2500"	1.62500"	1.000"	JH2016 OH	7630	11900	10000	6800	0.160
	1.2500"	1.62500"	1.250"	JH2020 OH	9750	16300	10000	6800	0.200
	1.3750"	1.62500"	0.500"	J228 OH	3140	5150	9200	6000	0.060
	1.3750"	1.62500"	1.000"	JH2216 OH	8210	13200	9400	6100	0.180
	1.5000"	1.87500"	1.000"	J2416 OH	8840	15000	8600	5600	0.190
	1.5000"	1.87500"	1.250"	J2420 OH	11100	20200	8600	5600	0.250
	1.6250"	2.00000"	1.000"	J2616 OH	8830	15500	7900	5100	0.210
	1.2500"	2.12500"	1.000"	J2816 OH	9010	16400	7300	4700	0.220
	1.8750"	2.25000"	1.000"	J3016 OH	9240	17100	6800	4400	0.240
	2.0000"	2.37500"	1.000"	J3216 OH	9530	18300	6300	4100	0.250
5/16	0.3125"	0.50000"	0.312"	J55 OH	540	450	28000	18000	0.020
	0.3125"	0.50000"	0.738"	J57 OH	910	880	28000	18000	0.020
	0.3125"	0.56250"	0.438"	JH57 OH	1040	850	22000	14000	0.030
	0.3125"	0.50000"	0.562"	JTT59	910	880	20000	15000	0.030
3/8	0.3750"	0.56250"	0.312"	J65 OH	620	560	27000	18000	0.020
	0.3750"	0.56250"	0.438"	J67 OH	700	600	27000	18000	0.030
	0.3750"	0.56250"	0.438"	JTT67	615	560	20000	15000	0.023
	0.3750"	0.56250"	0.500"	J68 OH	1170	1290	27000	18000	0.010
	0.3750"	0.62500"	0.500"	JH68 OH	1480	1370	20000	13000	0.030
7/16	0.4375"	0.62500"	0.500"	J78 OH	1430	1730	26000	17000	0.030

US Corporate Headquarters:
2100 Pacific Street
Hauppauge NY, 11788
www.tritanpt.com



Exclusively Distributed by:
B Bearings Limited
Est. 1947
888-4-Bearings

Drawn Cup Needle Roller Bearings



Shaft Diameter (in.)	Bore (Fw)	Outside Diameter (D)	Width (C)	Bearing Designation	Dynamic Load C (Lbs)	Static Load Co (Lbs)	Limiting Speed Oil (RPM)	Limiting Speed Grease (RPM)	Approx. Wgt. (lbs.)	
1/2	0.5000"	0.68750"	0.3750"	J86 OH	1050	1210	25000	16000	0.020	
	0.5000"	0.68750"	0.5000"	J88 OH	1420	1780	25000	16000	0.020	
	0.5000"	0.68750"	0.7500"	J812 OH	2300	3310	25000	16000	0.040	
	0.5000"	0.75000"	0.5000"	JH88 OH	1700	1730	19000	12000	0.030	
	0.5000"	0.68750"	0.6250"	JTT810	1420	1780	20000	12000	0.090	
	0.5000"	0.68750"	0.8750"	JTT814	2300	3310	20000	12000	0.040	
9/16	0.5000"	0.75000"	0.7500"	JH812 OH	2270	3240	19000	12000	0.020	
	0.5625"	0.75000"	0.5000"	J98 OH	1400	1800	25000	16000	0.030	
	0.5625"	0.75000"	0.5625"	JT99	1400	1800	20000	12000	0.030	
5/8	0.5625"	0.81250"	0.7500"	J912 OH	1400	1800	25000	16000	0.080	
	0.6250"	0.81250"	0.5000"	J108 OH	1510	2050	21000	13000	0.040	
	0.6250"	0.81250"	0.6250"	J1010 OH	1980	2910	21000	13000	0.050	
5/8	0.6250"	0.81250"	0.7500"	J1012 OH	2640	4240	21000	13000	0.040	
	0.6250"	0.81250"	0.7500"	JTT1012	1980	2910	16000	10000	0.050	
	0.6250"	0.87500"	0.6250"	JH1010 OH	2600	3170	21000	14000	0.030	
5/8	0.6250"	0.87500"	1.0000"	JH1016 OH	4450	6320	21000	14000	0.060	
	0.7500"	1.00000"	0.5630"	JT129	2230	2740	14000	8000	0.050	
	0.7500"	1.00000"	0.6250"	JTT1210	2230	2740	14000	8000	0.050	
	0.7500"	1.00000"	0.7500"	JTT1212	2800	3600	14000	8000	0.060	
	11/16	0.6875"	0.87500"	0.3750"	J116 OH	1600	2100	18000	11000	0.060
		0.6875"	0.93750"	0.6250"	JH1110 OH	2710	3420	19000	13000	0.050
3/4	0.7500"	1.00000"	0.6250"	J1210 OH	2810	3670	18000	11000	0.050	
	0.7500"	1.00000"	0.7500"	J1212 OH	3490	4860	18000	11000	0.060	
	0.7500"	1.00000"	0.5000"	J128 OH	2230	2740	18000	11000	0.040	
7/8	0.8750"	1.06250"	0.5000"	J148 OH	2460	3260	15000	9700	0.050	
	0.8750"	1.06250"	0.5000"	JTT148	2400	3200	12000	7000	0.050	
	0.8750"	1.12500"	0.5620"	JT149	2460	3260	12000	7000	0.050	
	0.8750"	1.06250"	1.0000"	J1416 OH	5320	8760	15000	9700	0.080	
	0.8750"	1.12500"	0.7500"	J1412 OH	4020	6110	15000	9700	0.060	
	0.8750"	1.18750"	1.0000"	JH1416 OH	5710	8400	15000	9800	0.090	
1	1.0000"	1.25000"	0.7500"	J1612 OH	4080	6480	13000	8400	0.060	
1	1.0000"	1.25000"	0.8750"	JTT1614	4080	6480	10000	6000	0.090	
	1.0000"	1.25000"	1.0000"	J1616 OH	5610	9760	13000	8400	0.080	
	1.0000"	1.31250"	0.7500"	JH1612 OH	4650	6650	13000	8500	0.090	
	1.0000"	1.31250"	0.7500"	JH1616 OH	6200	9640	13000	8500	0.120	
	1.0000"	1.25000"	1.0000"	JTT1616	4200	6600	10000	6000	0.100	
	1.2500"	1.50000"	0.7500"	J2012 OH	4460	7800	10000	6600	0.090	
1 1/8	1.1250"	1.37500"	0.5000"	J188 OH	2620	3810	11000	7400	0.060	
	1.1250"	1.37500"	0.7500"	J1812 OH	4280	7140	11000	7400	0.080	
	1.1250"	1.37500"	1.0000"	J1816 OH	5880	10800	11000	7400	0.100	

US Corporate Headquarters:
2100 Pacific Street
Hauppauge NY, 11788
www.tritanpt.com



Exclusively Distributed by:



888-4-Bearings