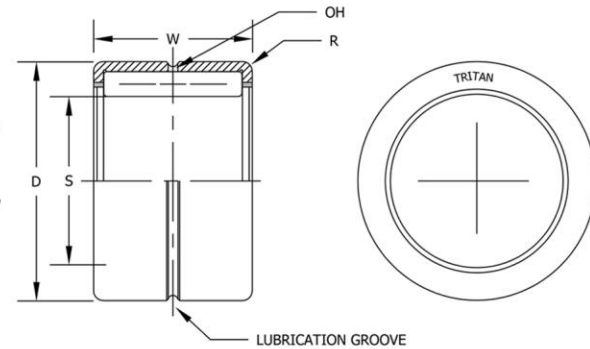


Heavy Duty Needle Roller Bearings

MR Series Needle Roller Bearings have a one piece channel-shaped outer ring providing maximum load capacity. Integral flanges provide axial location for the needle rollers while a steel cage provides inward retention. Available either open or with 2 contact lip seals, they are supplied with a lubrication groove and hole in the outer ring to facilitate lubrication.



MI Series inner rings can be used for applications where it is impractical to use the shaft as the inner raceway.

| Shaft Diameter (in.) | Bore (S) | Outside Diameter (D) | Width (W) | Bearing Designation | Dynamic Load C (Lbs) | Static Load Co (Lbs) | Limiting Speed Oil (RPM) | Limiting Speed Grease (RPM) | Approx. Wgt. (lbs.) | Used with Inner Ring |
|----------------------|----------|----------------------|-----------|---------------------|----------------------|----------------------|--------------------------|-----------------------------|---------------------|----------------------|
| 5/8 | 0.6250" | 1.1250" | 0.75" | MR10 | 4350 | 4650 | 30000 | 20000 | 0.150 | MI6 |
| | 0.6250" | 1.1250" | 0.75" | MR10 2RS | 4350 | 4650 | 8000 | 12000 | 0.155 | MI6 |
| | 0.6250" | 1.1250" | 0.75" | MR10N | 4350 | 4650 | 30000 | 20000 | 0.120 | MI6N |
| 3/4 | 0.7500" | 1.2500" | 0.75" | MR12N | 4650 | 5240 | 25000 | 16000 | 0.140 | MI8N |
| | 0.7500" | 1.2500" | 1.00" | MR12 | 6190 | 7580 | 25000 | 16000 | 0.170 | MI8 |
| | 0.7500" | 1.2500" | 1.00" | MR12 2RS | 4650 | 5240 | 7000 | 10000 | 0.171 | MI8 |
| 7/8 | 0.8750" | 1.3750" | 0.75" | MR14N | 5180 | 6270 | 21000 | 13000 | 0.160 | MI10N |
| | 0.8750" | 1.3750" | 1.00" | MR14 | 6910 | 9070 | 21000 | 13000 | 0.210 | MI10 |
| | 0.8750" | 1.3750" | 1.00" | MR14 2RS | 5180 | 6270 | 6000 | 8700 | 0.188 | MI10 |
| 1 | 1.0000" | 1.5000" | 0.75" | MR16N | 5680 | 7300 | 18000 | 12000 | 0.200 | MI12N, MI13N |
| | 1.0000" | 1.5000" | 1.00" | MR16 | 7560 | 10600 | 18000 | 12000 | 0.230 | MI12, MI13 |
| | 1.0000" | 1.5000" | 1.00" | MR16 2RS | 5680 | 7300 | 5000 | 7600 | 0.220 | MI12, MI13 |
| 1 1/8 | 1.1250" | 1.6250" | 1.00" | MR18N | 8170 | 12100 | 16000 | 10000 | 0.240 | MI14N, MI15N |
| | 1.1250" | 1.6250" | 1.25" | MR18 | 10100 | 15800 | 16000 | 10000 | 0.320 | MI14, MI15 |
| | 1.1250" | 1.6250" | 1.25" | MR18 2RS | 8170 | 12100 | 4500 | 6800 | 0.290 | MI14, MI15 |
| 1 1/4 | 1.2500" | 1.7500" | 1.00" | MR20N | 8410 | 12900 | 14000 | 9100 | 0.270 | MI16N |
| | 1.2500" | 1.7500" | 1.25" | MR20 | 10400 | 16900 | 14000 | 9100 | 0.340 | MI16 |
| | 1.2500" | 1.7500" | 1.25" | MR20 2RS | 8410 | 12900 | 4000 | 6100 | 0.380 | MI16 |
| 1 3/8 | 1.3750" | 1.8750" | 1.00" | MR22N | 8950 | 14400 | 13000 | 8200 | 0.310 | MI18N |
| | 1.3750" | 1.8750" | 1.25" | MR22 | 11100 | 18900 | 13000 | 8200 | 0.360 | MI18 |
| | 1.3750" | 1.8750" | 1.25" | MR22 2RS | 8950 | 14400 | 3600 | 5600 | 0.410 | MI18 |
| 1 1/2 | 1.5000" | 2.0625" | 1.00" | MR24N | 10700 | 16300 | 12000 | 7600 | 0.410 | MI20N |
| | 1.5000" | 2.0625" | 1.25" | MR24 | 13200 | 21400 | 12000 | 7600 | 0.470 | MI19, MI20 |
| | 1.5000" | 2.0625" | 1.25" | MR24 2RS | 10700 | 16300 | 3300 | 5100 | 0.440 | MI19, MI20 |
| 1 5/8 | 1.6250" | 2.1875" | 1.00" | MR26N | 10900 | 17200 | 11000 | 7000 | 0.460 | MI21N |
| | 1.6250" | 2.1875" | 1.25" | MR26 | 13500 | 22600 | 11000 | 7000 | 0.510 | MI21, MI22-4S |
| | 1.6250" | 2.1875" | 1.25" | MR26 2RS | 10900 | 17200 | 3200 | 4800 | 0.470 | MI21, MI22-4S |
| 1 3/4 | 1.7500" | 2.3125" | 1.00" | MR28N | 11200 | 18200 | 9900 | 7000 | 0.470 | MI22N, MI23N, MI24N |
| | 1.7500" | 2.3125" | 1.25" | MR28 | 13900 | 23900 | 9900 | 6400 | 0.550 | MI22, MI23, MI24 |
| | 1.7500" | 2.3125" | 1.25" | MR28 2RS | 11200 | 18100 | 2900 | 4400 | 0.510 | MI22, MI23, MI24 |
| 1 7/8 | 1.8750" | 2.4375" | 1.00" | MR30N | 14700 | 26300 | 9200 | 6000 | 0.510 | IR253020 |
| | 1.8750" | 2.4375" | 1.25" | MR30 | 14700 | 26300 | 9200 | 6000 | 0.590 | MI25-4S |
| | 1.8760" | 2.4376" | 1.26" | MR30 2RS | 14700 | 26300 | 2000 | 3000 | 0.530 | MI25-4S |
| 1 15/16 | 1.9375" | 2.5000" | 1.25" | MR31 | 12000 | 22000 | 6000 | 6000 | 0.600 | MI26-2S |

US Corporate Headquarters:
2100 Pacific Street
Hauppauge NY, 11788
www.tritanpt.com



Exclusively Distributed by:



888-4-Bearings

Heavy Duty Needle Roller Bearings



| Shaft Diameter (in.) | Bore (S) | Outside Diameter (D) | Width (W) | Bearing Designation | Dynamic Load C (Lbs) | Static Load Co (Lbs) | Limiting Speed Oil (RPM) | Limiting Speed Grease (RPM) | Approx. Wgt. (lbs.) | Used with Inner Ring |
|----------------------|----------|----------------------|-----------|---------------------|----------------------|----------------------|--------------------------|-----------------------------|---------------------|----------------------|
| 2 | 2.0000" | 2.5625" | 1.00" | MR32N | 12100 | 20900 | 8600 | 5600 | 0.550 | MI26N, MI27N |
| | 2.0000" | 2.5625" | 1.25" | MR32 | 15000 | 27500 | 8600 | 5600 | 0.610 | MI25, MI26, MI27 |
| | 2.0000" | 2.5625" | 1.25" | MR32 2RS | 12000 | 20700 | 1300 | 2000 | 0.570 | MI25, MI26, MI27 |
| 2 1/4 | 2.2500" | 3.0000" | 1.50" | MR36N | 20200 | 36900 | 7600 | 5000 | 1.130 | MI28N |
| | 2.2500" | 3.0000" | 1.75" | MR36 | 23400 | 44500 | 7600 | 5000 | 1.320 | MI30 |
| | 2.2500" | 4.0000" | 1.76" | MR36 2RS | 22400 | 39100 | 1100 | 1700 | 1.250 | MI30 |
| 2 1/2 | 2.5000" | 3.2500" | 1.50" | MR40N | 21800 | 42100 | 6800 | 4400 | 1.230 | MI31N, MI32N |
| | 2.5000" | 3.2500" | 1.75" | MR40 | 25200 | 50800 | 6800 | 4400 | 1.440 | MI31, MI32 |
| | 2.5000" | 3.2500" | 1.75" | MR40 2RS | 23400 | 42900 | 1000 | 1530 | 1.390 | MI31, MI32 |
| 2 3/4 | 2.7500" | 3.5000" | 1.50" | MR44N | 22700 | 45700 | 6200 | 4000 | 1.360 | MI36N |
| | 2.7500" | 3.5000" | 1.75" | MR44 | 26300 | 55100 | 6200 | 4000 | 1.580 | MI35, MI36 |
| | 2.7500" | 3.5000" | 1.75" | MR44 2RS | 24500 | 46700 | 900 | 1390 | 1.580 | MI35, MI36 |
| 3 | 3.0000" | 3.7500" | 1.50" | MR48N | 24100 | 50900 | 5600 | 3700 | 1.530 | MI40N |
| | 3.0000" | 3.7500" | 1.75" | MR48 | 27900 | 61400 | 5600 | 3700 | 1.700 | MI38, MI39, MI40 |
| | 3.0000" | 3.7500" | 1.75" | MR48 2RS | 27900 | 61400 | 900 | 1400 | 1.680 | MI38, MI39, MI40 |
| 3 1/4 | 3.2500" | 4.2500" | 1.75" | MR52 | 41300 | 80500 | 5300 | 3400 | 2.640 | MI44 |
| 3 1/2 | 3.5000" | 4.5000" | 2.00" | MR56 | 42000 | 84300 | 4900 | 3200 | 2.730 | MI47, MI48 |
| | 3.5000" | 4.5000" | 2.00" | MR56 2RS | 42000 | 84300 | 800 | 1200 | 2.950 | MI47, MI48 |
| 3 3/4 | 3.7500" | 4.7500" | 2.00" | MR60 | 36000 | 85000 | 3200 | 3000 | 3.380 | MI50, MI52 |
| 4 | 4.0000" | 5.0000" | 2.00" | MR64 | 37000 | 90000 | 3000 | 2400 | 3.560 | MI54, MI56 |
| 4 1/4 | 4.2500" | 5.2500" | 2.00" | MR68 | 39000 | 100000 | 2800 | 2200 | 3.740 | MI60 |
| 4 1/2 | 4.5000" | 6.0000" | 2.25" | MR72 | 55000 | 125000 | 2500 | 2000 | 7.130 | MI62 |
| 5 | 5.0000" | 6.5000" | 2.25" | MR80 | 60000 | 140000 | 2400 | 1900 | 7.780 | MI64, MI68 |
| 5 1/2 | 5.5000" | 7.0000" | 2.50" | MR88N | 70200 | 169800 | 2300 | 1800 | 10.400 | MI72N |
| | 5.5000" | 7.0000" | 3.00" | MR88 | 64000 | 142000 | 2180 | 1700 | 11.820 | MI72 |
| | 5.5000" | 8.0000" | 2.50" | MR104N | 65000 | 175000 | 1900 | 1500 | 11.850 | MI88N |
| 6 | 5.5000" | 8.0000" | 3.00" | MR104 | 65000 | 175000 | 1800 | 1400 | 13.550 | MI88 |
| | 6.0000" | 7.5000" | 2.50" | MR96N | 72000 | 170000 | 1900 | 1450 | 11.080 | MI80N |
| | 6.0000" | 7.5000" | 3.00" | MR96 | 72000 | 170000 | 1800 | 1400 | 12.690 | MI80 |
| 7 1/4 | 7.2500" | 9.1250" | 3.00" | MR116 | 90000 | 225000 | 1600 | 1200 | 19.320 | MI96 |
| 7 3/4 | 7.7500" | 9.6250" | 3.00" | MR124 | 95000 | 230000 | 1200 | 900 | 19.800 | MI04 |
| 8 /14 | 8.2500" | 10.125" | 3.00" | MR132 | 97000 | 240000 | 1000 | 800 | 21.630 | MI112 |
| 9 1/4 | 9.2500" | 11.125" | 3.00" | MR148 | 100000 | 285000 | 900 | 750 | 24.000 | MI128 |

Seals limit the operating temperature to -25 to 225° F

US Corporate Headquarters:
2100 Pacific Street
Hauppauge NY, 11788
www.tritanpt.com



Exclusively Distributed by:

888-4-Bearings