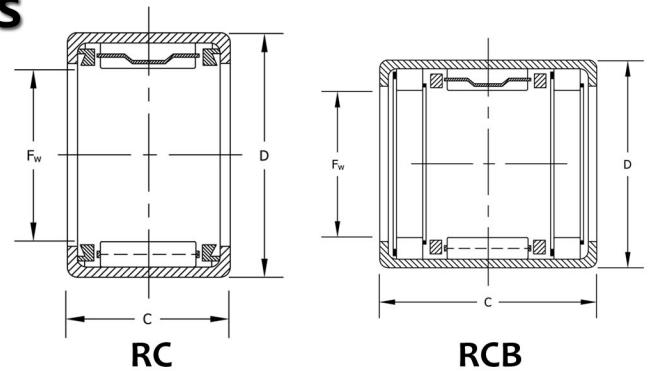


Drawn Cup Needle Roller Clutches

Drawn Cup Needle Roller Clutches are similar to Drawn Cup Needle Roller Bearings in design, however they allow rotation in only one direction while transmitting torque in the opposite direction. Like the basic drawn cup needle roller bearings, they provide a low cross section that allows them to be used in the smallest amount of space. They are designed to operate directly on a hardened shaft.



The design calls for caged construction that includes an interior spring that wedges against the needle rollers and allows free running in one direction but locks the clutch with the shaft when rotated in the opposite direction. The bearings are easily installed with a press fit in the housing.

Drawn Cup Needle Roller Clutches are used in a wide variety of applications that require indexing or backstopping such as office equipment, exercise equipment, copiers, gear boxes and appliances.

Shaft Diameter (in.)	Bore (Fw)	Outside Diameter (D)	Width (C)	Bearing Designation	Limiting Speed Oil (RPM)	Approx. Wgt. (lbs.)
1/4	0.250"	0.4375"	0.500"	RC040708	20000	0.01
3/8	0.375"	0.6250"	0.500"	RC061008	18000	0.02
1/2	0.500"	0.7500"	0.500"	RC081208	17000	0.02
5/8	0.625"	0.8750"	0.625"	RC101410	14000	0.03
3/4	0.750"	1.0000"	0.625"	RC121610	12000	0.03
1	1.000"	1.3125"	0.625"	RC162110	8700	0.01

Shaft Diameter (in.)	Bore (Fw)	Outside Diameter (D)	Width (C)	Bearing Designation	Limiting Speed Oil (RPM)	Approx. Wgt. (lbs.)
3/8	0.375"	0.6250"	0.875"	RCB061014	18000	0.03
1/2	0.500"	0.7500"	0.875"	RCB081214	17000	0.04
5/8	0.625"	0.8750"	1.000"	RCB101416	14000	0.05
3/4	0.750"	1.0000"	1.000"	RCB121616	12000	0.06
1	1.000"	1.3125"	1.063"	RCB162117	8700	0.10

US Corporate Headquarters:
2100 Pacific Street
Hauppauge NY, 11788
www.tritanpt.com



Exclusively Distributed by:



888-4-Bearings