

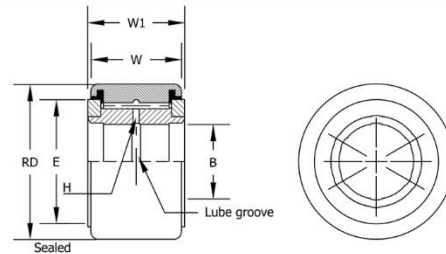


Cam Yoke Rollers are designed without studs for shaft mounting. The design permits high-load carrying capacity while minimizing distortion / bending. They utilize needle rollers in a full complement configuration (no cage) to maximize load capacity and are supplied fully lubricated with a high quality multipurpose grease, but are also relubricatable and through a radial oil hole found in the inner race. Seals (suffix S) utilizing internal thrust washers extend service life in dusty environments or in conditions of infrequent re-lubrication.

TRITAN Cam Followers are supplied with a black oxide finish to prevent corrosion. Cam Followers and yoke rollers are commonly used in industrial applications such as: Material handling equipment, ram support rollers, and indexing equipment.

CYR-S Series

- Full Complement
- Black Oxide Finish
- Sealed

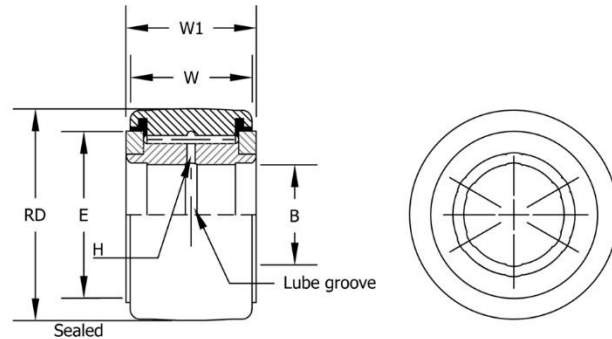


| BEARING NUMBER | ROLLER DIA. (RD) +.000 -.001 | ROLLER WIDTH (W) +.000 -.005 | BORE (B) | | WIDTH OVER END PLATES (W1) +.005 -.010 | DIA. OF END PLATES (E) | OIL HOLE (H) DIA. | MAX STATIC CAPACITY LBS. | BASIC DYNAMIC RATING LBS. |
|----------------|------------------------------------|------------------------------------|----------|------------------|--|------------------------|-------------------|--------------------------|---------------------------|
| | | | NOMINAL | TOL. | | | | | |
| CYR 3/4S | .7500 | .5000 | .2500 | +.0002 -.0004 | .56250 | 39/64 | 3/32 | 4130 | 1660 |
| CYR 7/8S | .8750 | .5000 | .2500 | | .56250 | 39/64 | | 4130 | 1660 |
| CYR 1S | 1.000 | .6250 | .3125 | | .68750 | 25/32 | | 6120 | 2225 |
| CYR 1 1/8S | 1.125 | .6250 | .3125 | | .68750 | 25/32 | | 6120 | 2225 |
| CYR 1 1/4S | 1.250 | .7500 | .3750 | | .81250 | 63/64 | | 8500 | 3930 |
| CYR 1 3/8S | 1.375 | .7500 | .3750 | | .81250 | 63/64 | | 8500 | 3930 |
| CYR 1 1/2S | 1.500 | .8750 | .4375 | | .93750 | 1 3/32 | | 11280 | 4840 |
| CYR 1 5/8S | 1.625 | .8750 | .4375 | | .93750 | 1 3/32 | | 11280 | 4840 |
| CYR 1 3/4S | 1.750 | 1.000 | .5000 | | 1.0625 | 1 1/4 | | 15840 | 6385 |
| CYR 1 7/8S | 1.875 | 1.000 | .5000 | | 1.0625 | 1 1/4 | 15840 | 6385 | |
| CYR 2S | 2.000 | 1.250 | .6250 | | 1.3125 | 1 13/32 | 21140 | 8090 | |
| CYR 2 1/4S | 2.250 | 1.250 | .6250 | | 1.3125 | 1 13/32 | 21140 | 8090 | |
| CYR 2 1/2S | 2.500 | 1.500 | .7500 | | 1.5625 | 1 11/16 | 32900 | 11720 | |
| CYR 2 3/4S | 2.750 | 1.500 | .7500 | | 1.5625 | 1 11/16 | 32900 | 11720 | |
| CYR 3S | 3.000 | 1.750 | 1.000 | | 1.8125 | 2 1/8 | 49820 | 15720 | |
| CYR 3 1/4S | 3.250 | 1.750 | 1.000 | 1.8125 | 2 1/8 | 49820 | 15720 | | |
| CYR 3 1/2S | 3.500 | 2.000 | 1.125 | 2.0625 | 2 7/16 | 63250 | 22800 | | |
| CYR 4S | 4.000 | 2.250 | 1.250 | 2.3125 | 2 51/64 | 89540 | 29985 | | |
| CYR 5S | 5.000 | 2.750 | 1.750 | 2.8750 | 3 9/16 | 135900 | 46575 | | |
| CYR 6S | 6.000 | 3.250 | 2.250 | 3.3750 | 4 15/32 | 160900 | 60000 | | |

S=Sealed. Also available non-sealed (no "S" suffix)

CCYR-S Series

- Full Complement
- Crowned OD
- Sealed
- Black Oxide Finish



| BEARING NUMBER | ROLLER DIA. (RD) +0.000 -0.001 | ROLLER WIDTH (W) +0.000 -0.005 | BORE (B) | | WIDTH OVER END PLATES (W1) +0.005 -0.010 | DIA. OF END PLATES (E) | OIL HOLE (H) DIA. | MAX STATIC CAPACITY LBS. | BASIC DYNAMIC RATING LBS. |
|----------------|--------------------------------------|--------------------------------------|----------|--------------------|--|------------------------|-------------------|--------------------------|---------------------------|
| | | | NOMINAL | TOL. | | | | | |
| CCYR 3/4S | .7500 | .5000 | .2500 | +0.0002 -0.0004 | .56250 | 39/64 | 3/32 | 4130 | 1660 |
| CCYR 7/8S | .8750 | .5000 | .2500 | | .56250 | 39/64 | | 4130 | 1660 |
| CCYR 1S | 1.000 | .6250 | .3125 | | .68750 | 25/32 | | 6120 | 2225 |
| CCYR 1 1/8S | 1.125 | .6250 | .3125 | | .68750 | 25/32 | | 6120 | 2225 |
| CCYR 1 1/4S | 1.250 | .7500 | .3750 | | .81250 | 63/64 | | 8500 | 3930 |
| CCYR 1 3/8S | 1.375 | .7500 | .3750 | | .81250 | 63/64 | | 8500 | 3930 |
| CCYR 1 1/2S | 1.500 | .8750 | .4375 | | .93750 | 1 3/32 | | 11280 | 4840 |
| CCYR 1 5/8S | 1.625 | .8750 | .4375 | | .93750 | 1 3/32 | | 11280 | 4840 |
| CCYR 1 3/4S | 1.750 | 1.000 | .5000 | | 1.0625 | 1 1/4 | | 15840 | 6385 |
| CCYR 1 7/8S | 1.875 | 1.000 | .5000 | | 1.0625 | 1 1/4 | | 15840 | 6385 |
| CCYR 2S | 2.000 | 1.250 | .6250 | | 1.3125 | 1 13/32 | | 21140 | 8090 |
| CCYR 2 1/4S | 2.250 | 1.250 | .6250 | | 1.3125 | 1 13/32 | | 21140 | 8090 |
| CCYR 2 1/2S | 2.500 | 1.500 | .7500 | | 1.5625 | 1 11/16 | | 32900 | 11720 |
| CCYR 2 3/4S | 2.750 | 1.500 | .7500 | | 1.5625 | 1 11/16 | | 32900 | 11720 |
| CCYR 3S | 3.000 | 1.750 | 1.000 | 1.8125 | 2 1/8 | 49820 | 15720 | | |
| CCYR 3 1/4S | 3.250 | 1.750 | 1.000 | 1.8125 | 2 1/8 | 49820 | 15720 | | |
| CCYR 3 1/2S | 3.500 | 2.000 | 1.125 | 2.0625 | 2 7/16 | 63250 | 22800 | | |
| CCYR 4S | 4.000 | 2.250 | 1.250 | 2.3125 | 2 51/64 | 89540 | 29985 | | |

S=Sealed. Also available non-sealed (no "S" suffix)

Interchange Information

Yoke Roller Sealed

| TRITAN # | RBC | SMITH | CARTER | KOYO | IKO |
|------------|-------|------------|-----------|----------|---------------|
| CYR 3/4S | Y24L | YR-3/4-X | YNB-24-S | YCRS-12 | CRY 12 VUUE01 |
| CYR 7/8S | Y28L | YR-7/8-X | YNB-28-S | YCRS-14 | CRY 14 VUUE01 |
| CYR 1S | Y32L | YR-1-X | YNB-32-S | YCRS-16 | CRY 16 VUUE01 |
| CYR 1 1/8S | Y36L | YR-1 1/8-X | YNB-36-S | YCRS-18 | CRY 18 VUUE01 |
| CYR 1 1/4S | Y40L | YR-1 1/4-X | YNB-40-S | YCRS-20 | |
| CYR 1 3/8S | Y44L | YR-1 3/8-X | YNB-44-S | YCRS-22 | CRY 22 VUUE01 |
| CYR 1 1/2S | Y48L | YR-1 1/2-X | YNB-48-S | YCRS-24 | CRY 24 VUUE01 |
| CYR 1 5/8S | Y52L | YR-1 5/8-X | YNB-52-S | YCRS-26 | CRY 26 VUUE01 |
| CYR 1 3/4S | Y56L | YR-1 3/4-X | YNB-56-S | YCRS-28 | CRY 28 VUUE01 |
| CYR 1 7/8S | Y60L | YR-1 7/8-X | YNB-60-S | YCRS-30 | CRY 30 VUUE01 |
| CYR 2S | Y64L | YR-2-X | YNB-64-S | YCRS-32 | CRY 32 VUUE01 |
| CYR 2 1/4S | Y72L | YR-2 1/4-X | YNB-72-S | YCRS-36 | CRY 36 VUUE01 |
| CYR 2 1/2S | Y80L | YR-2 1/2-X | YNB-80-S | YCRS-40 | CRY 40 VUUE01 |
| CYR 2 3/4S | Y88L | YR-2 3/4-X | YNB-88-S | YCRS-44 | CRY 44 VUUE01 |
| CYR 3S | Y96L | YR-3-X | YNB-96-S | YCRS-48 | CRY 48 VUUE01 |
| CYR 3 1/4S | Y104L | YR-3 1/4-X | YNB-104-S | YCRS-52 | CRY 52 VUUE01 |
| CYR 3 1/2S | Y112L | YR-3 1/2-X | YNB-112-S | YCRS-56 | CRY 56 VUUE01 |
| CYR 4S | Y128L | YR-4-X | YNB-128-S | YCRS-64 | CRY 64 VUUE01 |
| CYR 5S | Y160L | YR-5-X | YNB-160-S | YCRS-80 | |
| CYR 6S | Y192L | YR-6-X | YNB-192-S | YCRS-96 | |
| CYR 7S | Y224L | | YNB-224-S | YCRS-112 | |

Interchange is to be used as a guide only. All efforts have been made to assure the accuracy of the data. Consult one of our sales professionals for assistance in comparing dimensions critical for specific applications.