



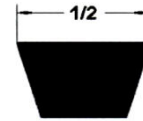
TRITAN

PRECISION POWER TRANSMISSION COMPONENTS

Cast Iron Sheaves

AK

Single Groove Finished Bore Sheaves for "4L" or "A" Belts



"3L" Belts may be used with these sheaves as indicated in table below.

| PART NO. | DIAMETERS | | | Type | DIMENSIONS | | | | Wt. Lbs | STOCK SIZES |
|----------|-----------|-----------|------------|------|------------|--------|--------|-------|---------|---|
| | Outside | Datum "A" | Pitch "3L" | | F | L | P | C | | Finished Bore |
| ▲AK17 | 1.75" | 1.50" | 1.16" | 1 | 21/32" | 15/16" | 7/16" | 5/32" | 0.2 | 1/2, 5/8 |
| ▲AK20 | 2.00 | 1.80 | 1.46 | 1 | 21/32 | 15/16 | 7/16 | 5/32 | 0.3 | 1/2, 5/8, 3/4 |
| ▲AK21 | 2.10 | 1.90 | 1.56 | 1 | 21/32 | 15/16 | 7/16 | 5/32 | 0.4 | 1/2, 5/8, 3/4 |
| ▲AK22 | 2.20 | 2.00 | 1.66 | 1 | 21/32 | 15/16 | 7/16 | 5/32 | 0.5 | 1/2, 5/8, 3/4 |
| ▲AK23 | 2.30 | 2.10 | 1.76 | 1 | 21/32 | 15/16 | 7/16 | 5/32 | 0.5 | 1/2, 5/8, 3/4 |
| ▲AK25 | 2.50 | 2.30 | 1.96 | 2 | 21/32 | 15/16 | 7/16 | 5/32 | 0.5 | 1/2, 5/8, 3/4 |
| ▲AK26 | 2.60 | 2.40 | 2.06 | 2 | 21/32 | 15/16 | 7/16 | 5/32 | 0.5 | 1/2, 5/8, 3/4 |
| ▲AK27 | 2.70 | 2.50 | 2.16 | 2 | 21/32 | 15/16 | 7/16 | 5/32 | 0.6 | 1/2, 5/8, 3/4 |
| ▲AK28 | 2.80 | 2.60 | 2.26 | 2 | 21/32 | 15/16 | 7/16 | 5/32 | 0.7 | 1/2, 5/8, 3/4 |
| ▲AK30 | 3.05 | 2.80 | 2.46 | 2 | 21/32 | 15/16 | 7/16 | 5/32 | 0.7 | 1/2, 5/8, 3/4, 7/8 |
| ▲AK32 | 3.25 | 3.00 | 2.66 | 2 | 21/32 | 15/16 | 7/16 | 5/32 | 0.7 | 1/2, 5/8, 3/4, 7/8 |
| ▲AK34 | 3.45 | 3.20 | 2.86 | 2 | 21/32 | 15/16 | 7/16 | 5/32 | 0.9 | 1/2, 5/8, 3/4, 7/8 |
| AK39 | 3.75 | 3.50 | 3.16 | 2 | 3/4 | 1 5/32 | 15/32 | 1/16 | 1.4 | 1/2, 5/8, 3/4, 7/8, 15/16, 1 |
| AK41 | 3.95 | 3.70 | 3.36 | 2 | 3/4 | 1 5/32 | 15/32 | 1/16 | 1.5 | 1/2, 5/8, 3/4, 7/8, 15/16, 1 |
| AK44 | 4.25 | 4.00 | 3.66 | 3 | 3/4 | 1 5/32 | 15/32 | 1/16 | 1.5 | 1/2, 5/8, 3/4, 7/8, 15/16, 1, 1 1/8 |
| AK46 | 4.45 | 4.20 | 3.86 | 3 | 3/4 | 1 5/32 | 15/32 | 1/16 | 1.5 | 1/2, 5/8, 3/4, 7/8, 15/16, 1, 1 1/8 |
| AK49 | 4.75 | 4.50 | 4.16 | 3 | 3/4 | 1 5/32 | 15/32 | 1/16 | 1.7 | 1/2, 5/8, 3/4, 7/8, 15/16, 1, 1 1/8 |
| AK51 | 4.95 | 4.70 | 4.36 | 3 | 3/4 | 1 5/32 | 15/32 | 1/16 | 1.7 | 1/2, 5/8, 3/4, 7/8, 1, 1 1/8 |
| AK54 | 5.25 | 5.00 | 4.66 | 3 | 3/4 | 1 5/32 | 15/32 | 1/16 | 1.8 | 1/2, 5/8, 3/4, 7/8, 15/16, 1, 1 1/8, 1 3/16 |
| AK56 | 5.45 | 5.20 | 4.86 | 3 | 3/4 | 1 5/32 | 15/32 | 1/16 | 1.9 | 1/2, 5/8, 3/4, 7/8, 15/16, 1, 1 1/8, 1 3/16 |
| AK59 | 5.75 | 5.50 | 5.16 | 3 | 3/4 | 1 5/32 | 15/32 | 1/16 | 2.0 | 1/2, 5/8, 3/4, 7/8, 15/16, 1, 1 1/8, 1 3/16 |
| AK61 | 5.95 | 5.70 | 5.36 | 3 | 3/4 | 1 5/32 | 15/32 | 1/16 | 2.1 | 1/2, 5/8, 3/4, 7/8, 15/16, 1, 1 1/8, 1 3/16 |
| AK64 | 6.25 | 6.00 | 5.66 | 3 | 3/4 | 1 5/32 | 15/32 | 1/16 | 2.2 | 1/2, 5/8, 3/4, 7/8, 15/16, 1, 1 1/8, 1 3/16 |
| AK66 | 6.45 | 6.20 | 5.86 | 3 | 3/4 | 1 5/32 | 15/32 | 1/16 | 2.3 | 5/8, 3/4, 1, 1 1/8 |
| AK69 | 6.75 | 6.50 | 6.16 | 3 | 3/4 | 1 5/32 | 23/32 | 0 | 3.5 | 3/4, 1, 1 1/8 |
| AK71 | 6.95 | 6.70 | 6.36 | 3 | 3/4 | 1 5/32 | 23/32 | 0 | 3.8 | 5/8, 3/4, 1, 1 1/8, 1 7/16 |
| ▲AK74 | 7.25 | 7.00 | 6.66 | 3 | 3/4 | 1 5/32 | 23/32* | 0* | 3.4 | 1/2, 5/8, 3/4, 15/16, 1, 1 1/8, 1 3/16, 1 1/4, 1 7/16 |
| ▲AK79 | 7.75 | 7.50 | 7.16 | 3 | 3/4 | 1 5/32 | 23/32 | 0 | 4.0 | 3/4, 1, 1 1/8, 1 7/16 |
| ▲AK84 | 8.25 | 8.00 | 7.66 | 3 | 3/4 | 1 5/32 | 23/32* | 0* | 3.8 | 1/2, 5/8, 3/4, 15/16, 1, 1 3/16, 1 7/16 |
| ▲AK89 | 8.75 | 8.50 | 8.16 | 3 | 3/4 | 1 5/32 | 23/32 | 0 | 4.3 | 3/4, 1, 1 1/8, 1 7/16 |
| ▲AK94 | 9.25 | 9.00 | 8.66 | 3 | 3/4 | 1 5/32 | 23/32* | 0* | 4.5 | 1/2, 5/8, 3/4, 15/16, 1, 1 3/16, 1 1/4, 1 7/16 |
| ▲AK99 | 9.75 | 9.50 | 9.16 | 3 | 3/4 | 1 5/32 | 23/32 | 0 | 5.3 | 3/4, 1, 1 7/16 |
| ▲AK104 | 10.25 | 10.00 | 9.66 | 3 | 3/4 | 1 5/32 | 23/32* | 0* | 5.1 | 5/8, 3/4, 1, 1 3/16, 1 1/4, 1 3/8, 1 7/16 |
| ▲AK109 | 10.75 | 10.50 | 10.16 | 3 | 3/4 | 1 5/32 | 23/32 | 0 | 5.8 | 3/4, 1, 1 3/8, 1 7/16 |
| ▲AK114 | 11.25 | 11.00 | 10.66 | 3 | 3/4 | 1 5/32 | 23/32* | 0* | 5.6 | 3/4, 1, 1 3/16, 1 7/16 |
| ▲AK124 | 12.25 | 12.00 | 11.66 | 3 | 3/4 | 1 5/32 | 23/32* | 0* | 6.5 | 5/8, 3/4, 1, 1 3/16, 1 1/4, 1 7/16 |
| AK134 | 13.25 | 13.00 | 12.66 | 3 | 3/4 | 1 5/32 | 23/32 | 0 | 7.5 | 3/4, 1, 1 3/16, 1 3/8, 1 7/16 |
| AK144 | 14.25 | 14.00 | 13.66 | 3 | 3/4 | 1 5/32 | 23/32 | 0 | 8.5 | 3/4, 1, 1 3/16, 1 7/16 |
| AK154 | 15.25 | 15.00 | 14.66 | 3 | 3/4 | 1 5/32 | 23/32 | 0 | 9.8 | 7/8, 1 1/8, 1 3/16, 1 3/8, 1 7/16 |
| AK184 | 18.25 | 18.00 | 17.66 | 3 | 3/4 | 1 5/32 | 23/32 | 0 | 12.1 | 3/4, 1, 1 3/16, 1 7/16 |

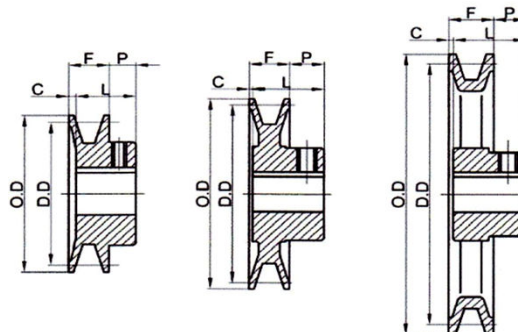
▲ NOTE: Do not use these "AK" sheaves with bores 1" and under with notched belt ratings.

* P=25/32" and C=1/16" for 1" bore and smaller

Standard Keyseats

| Bore Range | Keyseat |
|------------------|---------------|
| 1/2" | None |
| 5/8" to 7/8" | 3/16" x 3/32" |
| 15/16" to 1 1/4" | 1/4 x 1/8" |
| 1 7/16" | 3/8 x 3/16" |

Tritan "AK" Sheaves are accurately machined from gray cast iron, statically balanced, painted and individually packaged. They are furnished with standard keyseats and setscrews.



TYPE 1

TYPE 2

TYPE 3



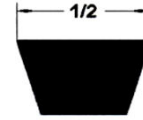
TRITAN

PRECISION POWER TRANSMISSION COMPONENTS

Cast Iron Sheaves

2AK

Two Groove Finished Bore Sheaves for "4L" or "A" Belts



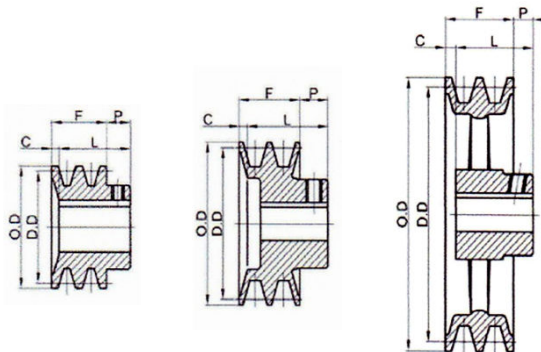
"3L" Belts may be used with these sheaves as indicated in table below.

| PART NO. | DIAMETERS | | | Type | DIMENSIONS | | | | Wt. Lbs | STOCK SIZES |
|----------|-----------|-----------|------------|------|------------|---------|-------|------|---------|---|
| | Outside | Datum "A" | Pitch "3L" | | F | L | P | C | | Finished Bore |
| 2AK20 | 2.00 | 1.80 | 1.46 | 1 | 1 3/8 | 1 21/32 | 15/32 | 3/16 | 0.8 | 1/2, 5/8, 3/4 |
| 2AK21 | 2.15 | 1.90 | 1.56 | 1 | 1 3/8 | 1 21/32 | 15/32 | 3/16 | 0.9 | 1/2, 5/8, 3/4 |
| 2AK22 | 2.25 | 2.00 | 1.66 | 1 | 1 3/8 | 1 21/32 | 15/32 | 3/16 | 0.9 | 1/2, 5/8, 3/4, 7/8 |
| 2AK23 | 2.35 | 2.10 | 1.76 | 1 | 1 3/8 | 1 21/32 | 15/32 | 3/16 | 1.1 | 5/8, 3/4, 7/8, 1 |
| 2AK25 | 2.55 | 2.30 | 1.96 | 1 | 1 3/8 | 1 21/32 | 15/32 | 3/16 | 1.3 | 5/8, 3/4, 7/8, 1 |
| 2AK26 | 2.65 | 2.40 | 2.06 | 1 | 1 3/8 | 1 21/32 | 15/32 | 3/16 | 1.4 | 5/8, 3/4, 7/8, 1 |
| 2AK27 | 2.75 | 2.50 | 2.16 | 1 | 1 3/8 | 1 21/32 | 15/32 | 3/16 | 1.5 | 5/8, 3/4, 7/8, 1 |
| 2AK28 | 2.85 | 2.60 | 2.26 | 1 | 1 3/8 | 1 21/32 | 15/32 | 3/16 | 1.8 | 5/8, 3/4, 7/8, 1 |
| 2AK30 | 3.05 | 2.80 | 2.46 | 1 | 1 3/8 | 1 21/32 | 15/32 | 3/16 | 1.8 | 1/2, 5/8, 3/4, 7/8, 1, 1 1/8 |
| 2AK32 | 3.25 | 3.00 | 2.66 | 1 | 1 3/8 | 1 21/32 | 15/32 | 3/16 | 2.1 | 5/8, 3/4, 7/8, 1, 1 1/8 |
| 2AK34 | 3.45 | 3.20 | 2.86 | 1 | 1 3/8 | 1 21/32 | 15/32 | 3/16 | 2.3 | 5/8, 3/4, 7/8, 1, 1 1/8 |
| 2AK39 | 3.75 | 3.50 | 3.16 | 2 | 1 3/8 | 1 11/32 | 15/32 | 1/2 | 2.6 | 5/8, 3/4, 7/8, 1, 1 1/8 |
| 2AK41 | 3.95 | 3.70 | 3.36 | 2 | 1 3/8 | 1 11/32 | 15/32 | 1/2 | 2.9 | 5/8, 3/4, 7/8, 1, 1 1/8 |
| 2AK44 | 4.25 | 4.00 | 3.66 | 2 | 1 3/8 | 1 11/32 | 15/32 | 1/2 | 3.0 | 5/8, 3/4, 7/8, 1, 1 1/8 |
| 2AK46 | 4.45 | 4.20 | 3.86 | 2 | 1 3/8 | 1 11/32 | 15/32 | 1/2 | 3.1 | 7/8, 1, 1 1/8 |
| 2AK49 | 4.75 | 4.50 | 4.16 | 2 | 1 3/8 | 1 11/32 | 15/32 | 1/2 | 3.6 | 3/4, 7/8, 1, 1 1/8, 1 3/8 |
| 2AK51 | 4.95 | 4.70 | 4.36 | 2 | 1 3/8 | 1 11/32 | 15/32 | 1/2 | 3.8 | 3/4, 7/8, 1, 1 1/8, 1 3/8 |
| 2AK54 | 5.25 | 5.00 | 4.66 | 3 | 1 3/8 | 1 11/32 | 15/32 | 1/2 | 3.3 | 5/8, 3/4, 7/8, 1, 1 1/8, 1 3/8 |
| 2AK56 | 5.45 | 5.20 | 4.86 | 3 | 1 3/8 | 1 11/32 | 15/32 | 1/2 | 3.4 | 5/8, 3/4, 1, 1 1/8, 1 3/8 |
| 2AK59 | 5.75 | 5.50 | 5.16 | 3 | 1 3/8 | 1 11/32 | 15/32 | 1/2 | 3.5 | 1, 1 1/8, 1 3/8 |
| 2AK61 | 5.95 | 5.70 | 5.36 | 3 | 1 3/8 | 1 11/32 | 15/32 | 1/2 | 3.6 | 3/4, 7/8, 1, 1 1/8, 1 3/8 |
| 2AK64 | 6.25 | 6.00 | 5.66 | 3 | 1 3/8 | 1 19/32 | 11/32 | 1/8 | 4.8 | 3/4, 1, 1 1/8, 1 3/16, 1 3/8, 1 7/16 |
| 2AK74 | 7.25 | 7.00 | 6.66 | 3 | 1 3/8 | 1 19/32 | 11/32 | 1/8 | 5.6 | 3/4, 1, 1 1/8, 1 3/16, 1 3/8, 1 7/16 |
| 2AK84 | 8.25 | 8.00 | 7.66 | 3 | 1 3/8 | 1 19/32 | 11/32 | 1/8 | 6.4 | 3/4, 15/16, 1, 1 1/8, 1 3/16, 1 3/8, 1 7/16 |
| 2AK94 | 9.25 | 9.00 | 8.66 | 3 | 1 3/8 | 1 19/32 | 11/32 | 1/8 | 7.3 | 3/4, 1, 1 1/8, 1 3/16, 1 3/8, 1 7/16 |
| 2AK104 | 10.25 | 10.00 | 9.66 | 3 | 1 3/8 | 1 19/32 | 11/32 | 1/8 | 8.1 | 3/4, 15/16, 1, 1 7/16 |
| 2AK114 | 11.25 | 11.00 | 10.66 | 3 | 1 3/8 | 1 19/32 | 11/32 | 1/8 | 9.0 | 3/4, 1, 1 3/16, 1 3/8, 1 7/16 |
| 2AK124 | 12.25 | 12.00 | 11.66 | 3 | 1 3/8 | 1 19/32 | 11/32 | 1/8 | 9.8 | 3/4, 1, 1 3/16, 1 7/16 |
| 2AK134 | 13.25 | 13.00 | 12.66 | 3 | 1 3/8 | 1 19/32 | 11/32 | 1/8 | 12.3 | 1 3/16, 1 7/16 |
| 2AK144 | 14.25 | 14.00 | 13.66 | 3 | 1 3/8 | 1 19/32 | 11/32 | 1/8 | 13.9 | 1, 1 7/16 |
| 2AK154 | 15.25 | 15.00 | 14.66 | 3 | 1 3/8 | 1 19/32 | 11/32 | 1/8 | 14.3 | 1 3/16, 1 7/16 |
| 2AK184 | 18.25 | 18.00 | 17.66 | 3 | 1 3/8 | 1 19/32 | 11/32 | 1/8 | 17.4 | 1 3/16, 1 7/16 |

Standard Keyseats

| Bore Range | Keyseat |
|-----------------|---------------|
| 1/2" | None |
| 5/8" to 7/8" | 3/16" x 3/32" |
| 15/16" to 1 1/4 | 1/4 x 1/8" |
| 1 7/16 | 3/8 x 3/16 |

Tritan "2AK" Sheaves are accurately machined from gray cast iron, statically balanced, painted and individually packaged. They are furnished with standard keyseats and setscrews.



TYPE 1

TYPE 2

TYPE 3



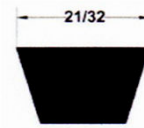
TRITAN

PRECISION POWER TRANSMISSION COMPONENTS

Cast Iron Sheaves

BK

Single Groove Finished Bore Sheaves for "4L" or "A" Belts and "5L" or "B" Belts



| PART NO. | DIAMETERS | | | Type | DIMENSIONS | | | | Wt. Lbs | STOCK SIZES |
|----------|-----------|-----------|-----------|------|------------|---------|---------|--------|---------|---|
| | Outside | Datum "A" | Datum "B" | | F | L | P | C | | Finished Bore |
| ▲ BK24 | 2.40" | 1.80" | 2.20" | 1 | 13/16" | 1 1/16" | 13/32" | 5/32" | 0.4 | 1/2, 5/8, 3/4 |
| ▲ BK25 | 2.50 | 1.90 | 2.30 | 1 | 13/16 | 1 1/16 | 13/32 | 5/32 | 0.5 | 1/2, 5/8, 3/4, 7/8 |
| ▲ BK26 | 2.60 | 2.00 | 2.40 | 1 | 13/16 | 1 1/16 | 13/32 | 5/32 | 0.6 | 1/2, 5/8, 3/4, 7/8 |
| ▲ BK27 | 2.70 | 2.10 | 2.50 | 2 | 13/16 | 1 1/16 | 13/32 | 5/32 | 0.6 | 1/2, 5/8, 3/4, 7/8 |
| ▲ BK28 | 2.95 | 2.20 | 2.60 | 2 | 13/16 | 1 1/16 | 13/32 | 5/32 | 0.8 | 1/2, 5/8, 3/4, 7/8 |
| ▲ BK30 | 3.15 | 2.40 | 2.80 | 2 | 13/16 | 1 1/16 | 13/32 | 5/32 | 0.8 | 1/2, 5/8, 3/4, 7/8 |
| ▲ BK32 | 3.35 | 2.60 | 3.00 | 2 | 13/16 | 1 1/16 | 13/32 | 5/32 | 0.8 | 1/2, 5/8, 3/4, 7/8 |
| BK34 | 3.55 | 2.80 | 3.20 | 2 | 7/8 | 1 5/32 | 13/32 | 1/8 | 1.3 | 1/2, 5/8, 3/4, 7/8, 1, 1 1/8 |
| BK36 | 3.75 | 3.00 | 3.40 | 2 | 7/8 | 1 5/32 | 13/32 | 1/8 | 1.5 | 1/2, 5/8, 3/4, 7/8, 1, 1 1/8 |
| BK40 | 3.95 | 3.20 | 3.60 | 2 | 7/8 | 1 5/32 | 13/32 | 1/8 | 1.5 | 1/2, 5/8, 3/4, 7/8, 1, 1 1/8 |
| BK45 | 4.25 | 3.50 | 3.90 | 2 | 7/8 | 1 5/32 | 13/32 | 1/8 | 1.8 | 1/2, 5/8, 3/4, 7/8, 1, 1 1/8 |
| BK47 | 4.45 | 3.70 | 4.10 | 2 | 7/8 | 1 5/32 | 13/32 | 1/8 | 1.9 | 1/2, 5/8, 3/4, 7/8, 1, 1 1/8 |
| BK50 | 4.75 | 4.00 | 4.40 | 3 | 7/8 | 1 5/32 | 13/32 | 1/8 | 2.0 | 1/2, 5/8, 3/4, 7/8, 15/16, 1, 1 1/8 |
| BK52 | 4.95 | 4.20 | 4.60 | 3 | 7/8 | 1 5/32 | 13/32 | 1/8 | 2.0 | 1/2, 5/8, 3/4, 7/8, 1, 1 1/8 |
| BK55 | 5.25 | 4.50 | 4.90 | 3 | 7/8 | 1 5/32 | 13/32 | 1/8 | 2.2 | 1/2, 5/8, 3/4, 7/8, 1, 1 1/8, 1 3/16 |
| BK57 | 5.45 | 4.70 | 5.10 | 3 | 7/8 | 1 5/32 | 13/32 | 1/8 | 2.3 | 5/8, 3/4, 7/8, 15/16, 1, 1 1/8 |
| BK60 | 5.75 | 5.00 | 5.40 | 3 | 7/8 | 1 5/32 | 13/32 | 1/8 | 2.3 | 1/2, 5/8, 3/4, 7/8, 1, 1 1/8, 1 3/16 |
| BK62 | 5.95 | 5.20 | 5.60 | 3 | 7/8 | 1 5/32 | 13/32 | 1/8 | 2.4 | 1/2, 5/8, 3/4, 7/8, 15/16, 1, 1 1/8, 1 3/16 |
| BK65 | 6.25 | 5.50 | 5.90 | 3 | 7/8 | 1 5/32 | 13/32 | 1/8 | 2.7 | 5/8, 3/4, 1, 1 1/8 |
| BK67 | 6.45 | 5.70 | 6.10 | 3 | 7/8 | 1 5/32 | 13/32 | 1/8 | 3.7 | 5/8, 3/4, 1, 1 1/8 |
| BK70 | 6.75 | 6.00 | 6.40 | 3 | 7/8 | 1 5/32 | 21/32 * | 1/16 * | 3.3 | 5/8, 3/4, 15/16, 1, 1 1/8, 1 3/16, 1 7/16 |
| BK72 | 6.95 | 6.20 | 6.60 | 3 | 7/8 | 1 5/32 | 21/32 | 1/16 | 3.9 | 3/4, 1, 1 1/8, 1 3/8 |
| BK75 | 7.25 | 6.50 | 6.90 | 3 | 7/8 | 1 5/32 | 21/32 | 1/16 | 3.9 | 3/4, 1, 1 1/8, 1 3/8 |
| BK77 | 7.45 | 6.70 | 7.10 | 3 | 7/8 | 1 5/32 | 21/32 | 1/16 | 4.1 | 3/4, 1, 1 1/8, 1 3/8 |
| BK80 | 7.75 | 7.00 | 7.40 | 3 | 7/8 | 1 5/32 | 21/32 | 1/16 | 4.4 | 5/8, 3/4, 7/8, 1, 1 1/8, 1 3/16, 1 1/4, 1 3/8, 1 7/16 |
| BK85 | 8.25 | 7.50 | 7.90 | 3 | 7/8 | 1 5/32 | 21/32 | 1/16 | 5.0 | 3/4, 1, 1 1/8, 1 3/8, 1 7/16 |
| BK90 | 8.75 | 8.00 | 8.40 | 3 | 7/8 | 1 5/32 | 21/32 | 1/16 | 5.0 | 3/4, 7/8, 15/16, 1, 1 1/8, 1 3/16, 1 3/8, 1 7/16 |
| BK95 | 9.25 | 8.50 | 8.90 | 3 | 7/8 | 1 5/32 | 21/32 | 1/16 | 5.4 | 3/4, 1, 1 1/8, 1 3/8, 1 7/16 |
| BK100 | 9.75 | 9.00 | 9.40 | 3 | 7/8 | 1 5/32 | 21/32 | 1/16 | 5.6 | 3/4, 7/8, 15/16, 1, 1 1/8, 1 3/16, 1 1/4, 1 3/8, 1 7/16 |
| BK105 | 10.25 | 9.50 | 9.90 | 3 | 7/8 | 1 5/32 | 21/32 | 1/16 | 5.8 | 1, 1 3/8, 1 7/16 |
| BK110 | 10.75 | 10.00 | 10.40 | 3 | 7/8 | 1 5/32 | 21/32 | 1/16 | 6.4 | 3/4, 1, 1 1/8, 1 3/16, 1 3/8, 1 7/16 |
| BK115 | 11.25 | 10.50 | 10.90 | 3 | 7/8 | 1 5/32 | 21/32 | 1/16 | 6.9 | 1, 1 3/8, 1 7/16 |
| BK120 | 11.75 | 11.00 | 11.40 | 3 | 7/8 | 1 5/32 | 21/32 | 1/16 | 7.4 | 3/4, 1, 1 3/16, 1 3/8, 1 7/16 |
| BK130 | 12.75 | 12.00 | 12.40 | 3 | 7/8 | 1 5/32 | 21/32 | 1/16 | 8.4 | 3/4, 1, 1 1/8, 1 3/16, 1 1/4, 1 7/16 |
| BK140 | 13.75 | 13.00 | 13.40 | 3 | 7/8 | 1 5/32 | 21/32 | 1/16 | 9.4 | 3/4, 1, 1 3/16, 1 7/16 |
| BK160 | 15.75 | 15.00 | 15.40 | 3 | 7/8 | 1 5/32 | 21/32 | 1/16 | 11.4 | 1, 1 1/8, 1 3/16, 1 1/4, 1 7/16 |
| BK190 | 18.75 | 18.00 | 18.40 | 3 | 7/8 | 1 5/32 | 21/32 | 1/16 | 13.4 | 1, 1 3/16, 1 1/4, 1 7/16 |

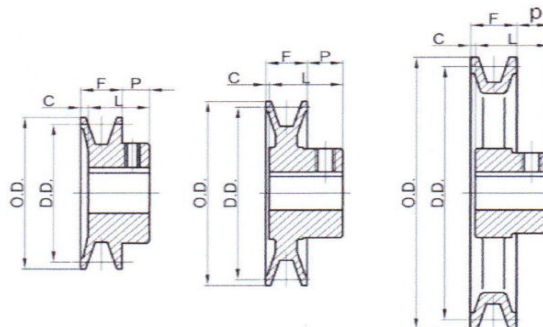
▲ NOTE: Do not use these "BK" sheaves with "B" notched belt ratings.

* P=13/32" and C=1/8" for 1" bore and smaller

Standard Keyseats

| Bore Range | Keyseat |
|-----------------|---------------|
| 1/2" | None |
| 5/8" to 7/8" | 3/16" x 3/32" |
| 15/16" to 1 1/4 | 1/4 x 1/8" |
| 1 7/16 | 3/8 x 3/16 |

Tritan "BK" Sheaves are accurately machined from gray cast iron, statically balanced, painted and individually packaged. They are furnished with standard keyseats and setscrews.



TYPE 1

TYPE 2

TYPE 3



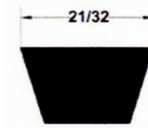
TRITAN

PRECISION POWER TRANSMISSION COMPONENTS

Cast Iron Sheaves

2BK

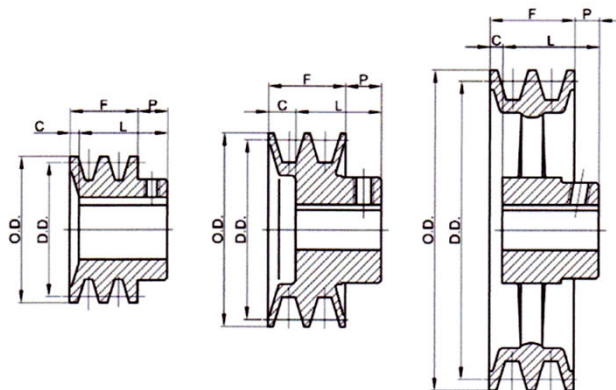
Two Groove Finished Bore Sheaves for "4L" or "A" Belts and "5L" or "B" Belts



| PART NO. | DIAMETERS | | | Type | DIMENSIONS | | | | Wt. Lbs | STOCK SIZES |
|----------|-----------|-----------|-----------|------|------------|----------|--------|--------|---------|--------------------------------------|
| | Outside | Datum "A" | Datum "B" | | F | L | P | C | | Finished Bore |
| 2BK25 | 2.5" | 1.9" | 2.3" | 1 | 1 3/4" | 1 31/32" | 15/32" | 15/32" | 1.3 | 1/2, 5/8, 3/4, 7/8 |
| 2BK27 | 2.70 | 2.10 | 2.50 | 1 | 1 3/4 | 1 31/32 | 15/32 | 15/32 | 1.6 | 1/2, 5/8, 3/4, 7/8, 1 |
| 2BK28 | 2.95 | 2.20 | 2.60 | 1 | 1 3/4 | 1 31/32 | 15/32 | 15/32 | 1.9 | 1/2, 5/8, 3/4, 7/8, 1, 1 1/8 |
| 2BK30 | 3.15 | 2.40 | 2.80 | 1 | 1 3/4 | 1 31/32 | 15/32 | 15/32 | 2.3 | 1/2, 5/8, 3/4, 7/8, 1, 1 1/8 |
| 2BK32 | 3.35 | 2.60 | 3.00 | 1 | 1 3/4 | 1 31/32 | 15/32 | 15/32 | 2.6 | 5/8, 7/8, 1, 1 1/8 |
| 2BK34 | 3.55 | 2.80 | 3.20 | 1 | 1 3/4 | 1 31/32 | 15/32 | 15/32 | 2.8 | 5/8, 3/4, 7/8, 1, 1 1/8 |
| 2BK36 | 3.75 | 3.00 | 3.40 | 1 | 1 3/4 | 1 31/32 | 15/32 | 15/32 | 3.3 | 3/4, 7/8, 1, 1 1/8, 1 3/8 |
| 2BK40 | 3.95 | 3.20 | 3.60 | 2 | 1 3/4 | 1 15/32 | 15/32 | 15/32 | 3.3 | 5/8, 3/4, 7/8, 1, 1 1/8 |
| 2BK47 | 4.25 | 3.70 | 4.10 | 2 | 1 3/4 | 1 15/32 | 15/32 | 15/32 | 3.7 | 7/8, 1, 1 1/8 |
| 2BK50 | 4.75 | 4.00 | 4.40 | 2 | 1 3/4 | 1 15/32 | 15/32 | 15/32 | 4.1 | 3/4, 1, 1 1/8, 1 3/8 |
| 2BK52 | 4.95 | 4.20 | 4.60 | 2 | 1 3/4 | 1 15/32 | 15/32 | 15/32 | 4.5 | 7/8, 1, 1 1/8, 1 3/8 |
| 2BK55 | 5.25 | 4.50 | 4.90 | 2 | 1 3/4 | 1 15/32 | 15/32 | 15/32 | 4.5 | 1 1/8, 1 3/8 |
| 2BK57 | 5.45 | 4.70 | 5.10 | 2 | 1 3/4 | 1 15/32 | 15/32 | 15/32 | 5.1 | 1, 1 1/8, 1 3/8 |
| 2BK60 | 5.75 | 5.00 | 5.40 | 3 | 1 3/4 | 1 15/32 | 15/32 | 15/32 | 4.9 | 3/4, 7/8, 1, 1 1/8, 1 3/8 |
| 2BK62 | 5.95 | 5.20 | 5.60 | 3 | 1 3/4 | 1 15/32 | 15/32 | 15/32 | 4.8 | 1, 1 1/8, 1 3/8 |
| 2BK67 | 6.45 | 5.70 | 6.10 | 3 | 1 3/4 | 1 15/32 | 15/32 | 15/32 | 5.0 | 1, 1 1/8, 1 3/8 |
| 2BK70 | 6.75 | 6.00 | 6.40 | 3 | 1 3/4 | 1 19/32 | 11/32 | 11/32 | 6.6 | 3/4, 1, 1 1/8, 1 3/16, 1 3/8, 1 7/16 |
| 2BK80 | 7.75 | 7.00 | 7.40 | 3 | 1 3/4 | 1 19/32 | 11/32 | 11/32 | 7.2 | 3/4, 1, 1 1/8, 1 3/16, 1 3/8, 1 7/16 |
| 2BK90 | 8.75 | 8.00 | 8.40 | 3 | 1 3/4 | 1 19/32 | 11/32 | 11/32 | 8.4 | 3/4, 1, 1 1/8, 1 3/16, 1 3/8, 1 7/16 |
| 2BK100 | 9.75 | 9.00 | 9.40 | 3 | 1 3/4 | 1 19/32 | 11/32 | 11/32 | 9.4 | 3/4, 1, 1 3/16, 1 3/8, 1 7/16 |
| 2BK110 | 10.75 | 10.00 | 10.40 | 3 | 1 3/4 | 1 19/32 | 11/32 | 11/32 | 10.4 | 1, 1 3/16, 1 7/16 |
| 2BK120 | 11.75 | 11.00 | 11.40 | 3 | 1 3/4 | 1 19/32 | 11/32 | 11/32 | 11.8 | 1, 1 3/16, 1 7/16 |
| 2BK140 | 13.75 | 13.00 | 13.40 | 3 | 1 3/4 | 1 19/32 | 11/32 | 11/32 | 16.3 | 1, 1 3/16, 1 7/16 |
| 2BK190 | 18.75 | 18.00 | 18.40 | 3 | 1 3/4 | 1 19/32 | 11/32 | 11/32 | 23.3 | 1 3/16, 1 7/16 |

Standard Keyseats

| Bore Range | Keyseat |
|------------------|---------------|
| 1/2" | None |
| 5/8" to 7/8" | 3/16" x 3/32" |
| 15/16" to 1 1/4" | 1/4 x 1/8" |
| 1 3/8" | 5/16 x 5/32 |
| 1 7/16" | 3/8 x 3/16 |



TYPE 1

TYPE 2

TYPE 3

Tritan "2BK" Sheaves are accurately machined from gray cast iron, statically balanced, painted and individually packaged. They are furnished with standard keyseats and setscrews.



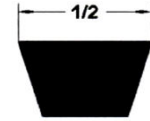
TRITAN

PRECISION POWER TRANSMISSION COMPONENTS

Cast Iron Sheaves

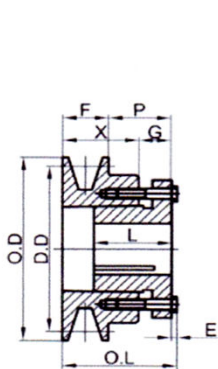
AK..H

Single Groove Taper Bushed Sheaves for "4L" or "A" Belts

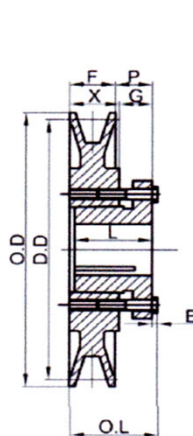


"3L" Belts may be used with these sheaves as indicated in table below

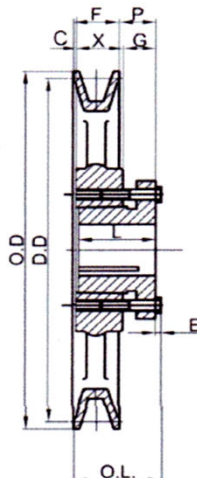
| PART NO. | DIAMETERS | | | Type | DIMENSIONS | | | | | | | | Wt. less Bush. |
|----------|-----------|-----------|------------|------|------------|------|--------|------|---|---------|-------|-------|----------------|
| | O.D. | Datum "A" | Pitch "3L" | | O.L. | F | L | P | C | X | G | E | |
| AK30H | 3.05 | 2.80 | 2.46 | 1 | 1 13/16" | 3/4" | 1 1/4" | 7/8" | - | 1 3/16" | 7/16" | 3/16" | 1.10 |
| AK32H | 3.3 | 3.00 | 2.66 | 1 | 1 13/16" | 3/4 | 1 1/4 | 7/8 | - | 1 3/16 | 7/16 | 3/16 | 1.20 |
| AK34H | 3.45 | 3.20 | 2.86 | 2 | 1 1/2 | 3/4 | 1 1/4 | 9/16 | - | 7/8 | 7/16 | 3/16 | 1.00 |
| AK39H | 3.75 | 3.50 | 3.16 | 2 | 1 1/2 | 3/4 | 1 1/4 | 9/16 | - | 7/8 | 7/16 | 3/16 | 1.40 |
| AK41H | 3.95 | 3.70 | 3.36 | 2 | 1 1/2 | 3/4 | 1 1/4 | 9/16 | - | 7/8 | 7/16 | 3/16 | 1.60 |
| AK44H | 4.25 | 4.00 | 3.66 | 2 | 1 1/2 | 3/4 | 1 1/4 | 9/16 | - | 7/8 | 7/16 | 3/16 | 1.90 |
| AK46H | 4.45 | 4.20 | 3.86 | 2 | 1 1/2 | 3/4 | 1 1/4 | 9/16 | - | 7/8 | 7/16 | 3/16 | 1.90 |
| AK49H | 4.75 | 4.50 | 4.16 | 2 | 1 1/2 | 3/4 | 1 1/4 | 9/16 | - | 7/8 | 7/16 | 3/16 | 2.10 |
| AK51H | 4.95 | 4.70 | 4.36 | 2 | 1 1/2 | 3/4 | 1 1/4 | 9/16 | - | 7/8 | 7/16 | 3/16 | 2.30 |
| AK54H | 5.25 | 5.00 | 4.66 | 2 | 1 1/2 | 3/4 | 1 1/4 | 9/16 | - | 7/8 | 7/16 | 3/16 | 2.00 |
| AK56H | 5.45 | 5.20 | 4.86 | 2 | 1 1/2 | 3/4 | 1 1/4 | 9/16 | - | 7/8 | 7/16 | 3/16 | 2.30 |
| AK59H | 5.75 | 5.50 | 5.16 | 2 | 1 1/2 | 3/4 | 1 1/4 | 9/16 | - | 7/8 | 7/16 | 3/16 | 2.40 |
| AK61H | 5.95 | 5.70 | 5.36 | 3 | 1 1/2 | 3/4 | 1 1/4 | 9/16 | 0 | 7/8 | 7/16 | 3/16 | 2.50 |
| AK64H | 6.25 | 6.00 | 5.66 | 3 | 1 1/2 | 3/4 | 1 1/4 | 9/16 | 0 | 7/8 | 7/16 | 3/16 | 2.70 |
| AK66H | 6.45 | 6.20 | 5.86 | 3 | 1 1/2 | 3/4 | 1 1/4 | 9/16 | 0 | 7/8 | 7/16 | 3/16 | 2.80 |
| AK69H | 6.75 | 6.50 | 6.16 | 3 | 1 1/2 | 3/4 | 1 1/4 | 9/16 | 0 | 7/8 | 7/16 | 3/16 | 3.20 |
| AK71H | 6.95 | 6.70 | 6.36 | 3 | 1 1/2 | 3/4 | 1 1/4 | 9/16 | 0 | 7/8 | 7/16 | 3/16 | 3.10 |
| AK74H | 7.25 | 7.00 | 6.66 | 3 | 1 1/2 | 3/4 | 1 1/4 | 9/16 | 0 | 7/8 | 7/16 | 3/16 | 3.30 |
| AK79H | 7.75 | 7.50 | 7.16 | 3 | 1 1/2 | 3/4 | 1 1/4 | 9/16 | 0 | 7/8 | 7/16 | 3/16 | 3.50 |
| AK84H | 8.25 | 8.00 | 7.66 | 3 | 1 1/2 | 3/4 | 1 1/4 | 9/16 | 0 | 7/8 | 7/16 | 3/16 | 3.60 |
| AK89H | 8.75 | 8.50 | 8.16 | 3 | 1 1/2 | 3/4 | 1 1/4 | 9/16 | 0 | 7/8 | 7/16 | 3/16 | 4.00 |
| AK94H | 9.25 | 9.00 | 8.66 | 3 | 1 1/2 | 3/4 | 1 1/4 | 9/16 | 0 | 7/8 | 7/16 | 3/16 | 4.40 |
| AK99H | 9.75 | 9.50 | 9.16 | 3 | 1 1/2 | 3/4 | 1 1/4 | 9/16 | 0 | 7/8 | 7/16 | 3/16 | 4.70 |
| AK104H | 10.25 | 10.00 | 9.66 | 3 | 1 1/2 | 3/4 | 1 1/4 | 9/16 | 0 | 7/8 | 7/16 | 3/16 | 4.50 |
| AK109H | 10.75 | 10.50 | 10.16 | 3 | 1 1/2 | 3/4 | 1 1/4 | 9/16 | 0 | 7/8 | 7/16 | 3/16 | 5.10 |
| AK114H | 11.25 | 11.00 | 10.66 | 3 | 1 1/2 | 3/4 | 1 1/4 | 9/16 | 0 | 7/8 | 7/16 | 3/16 | 5.50 |
| AK124H | 12.25 | 12.00 | 11.66 | 3 | 1 1/2 | 3/4 | 1 1/4 | 9/16 | 0 | 7/8 | 7/16 | 3/16 | 6.10 |
| AK134H | 13.25 | 13.00 | 12.66 | 3 | 1 1/2 | 3/4 | 1 1/4 | 9/16 | 0 | 7/8 | 7/16 | 3/16 | 7.40 |
| AK144H | 14.25 | 14.00 | 13.66 | 3 | 1 1/2 | 3/4 | 1 1/4 | 9/16 | 0 | 7/8 | 7/16 | 3/16 | 7.80 |
| AK154H | 15.25 | 15.00 | 14.66 | 3 | 1 1/2 | 3/4 | 1 1/4 | 9/16 | 0 | 7/8 | 7/16 | 3/16 | 8.80 |
| AK184H | 18.25 | 18.00 | 17.66 | 3 | 1 1/2 | 3/4 | 1 1/4 | 9/16 | 0 | 7/8 | 7/16 | 3/16 | 11.30 |



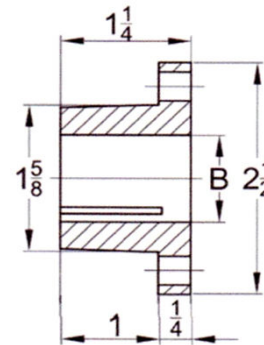
TYPE 1



TYPE 2



TYPE 3





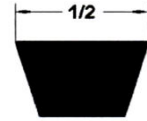
TRITAN

PRECISION POWER TRANSMISSION COMPONENTS

Cast Iron Sheaves

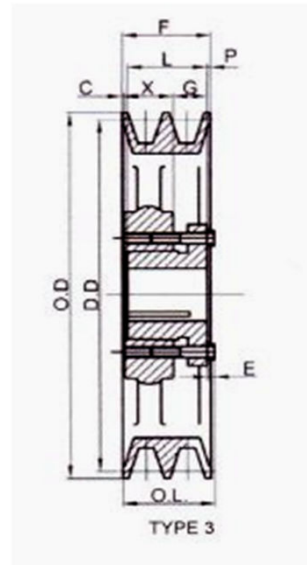
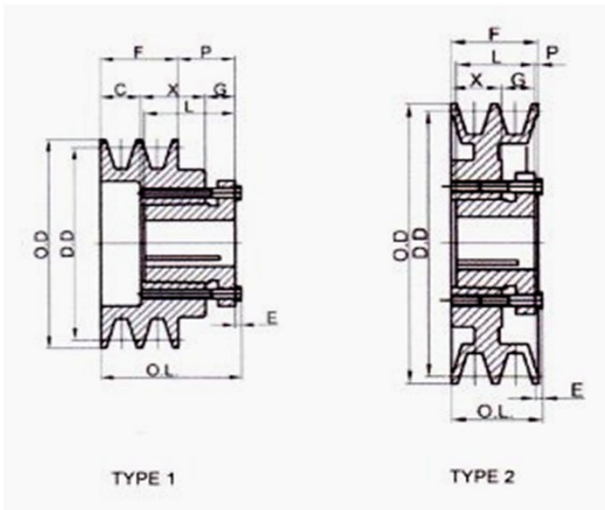
2AK..H

Single Groove Taper Bushed Sheaves for "4L" or "A" Belts



"3L" Belts may be used with these sheaves as indicated in table below

| PART NO. | DIAMETERS | | | Type | DIMENSIONS | | | | | | | | Wt. less Bush. |
|----------|-----------|-----------|------------|------|------------|-------|--------|------|--------|------|-------|-------|----------------|
| | O.D. | Datum "A" | Pitch "3L" | | O.L. | F | L | P | C | X | G | E | |
| 2AK30H | 3.05" | 2.80" | 2.46" | 1 | 2 7/16" | 1 3/8 | 1 1/4" | 7/8" | 15/16" | 7/8" | 7/16" | 3/16" | 1.40 |
| 2AK32H | 3.25 | 3.00 | 2.66 | 1 | 2 7/16 | 1 3/8 | 1 1/4 | 7/8 | 15/16 | 7/8 | 7/16 | 3/16 | 1.70 |
| 2AK34H | 3.45 | 3.20 | 2.86 | 1 | 2 | 1 3/8 | 1 1/4 | 7/16 | 1/2 | 7/8 | 7/16 | 3/16 | 1.80 |
| 2AK39H | 3.75 | 3.50 | 3.16 | 1 | 2 | 1 3/8 | 1 1/4 | 7/16 | 1/2 | 7/8 | 7/16 | 3/16 | 1.80 |
| 2AK41H | 3.95 | 3.70 | 3.36 | 2 | 1 1/2 | 1 3/8 | 1 1/4 | 1/16 | - | 7/8 | 7/16 | 3/16 | 1.90 |
| 2AK44H | 4.25 | 4.00 | 3.66 | 2 | 1 1/2 | 1 3/8 | 1 1/4 | 1/16 | - | 7/8 | 7/16 | 3/16 | 2.40 |
| 2AK46H | 4.45 | 4.20 | 3.86 | 2 | 1 1/2 | 1 3/8 | 1 1/4 | 1/16 | - | 7/8 | 7/16 | 3/16 | 2.50 |
| 2AK49H | 4.75 | 4.50 | 4.16 | 2 | 1 1/2 | 1 3/8 | 1 1/4 | 1/16 | - | 7/8 | 7/16 | 3/16 | 3.10 |
| 2AK51H | 4.95 | 4.70 | 4.36 | 2 | 1 1/2 | 1 3/8 | 1 1/4 | 1/16 | - | 7/8 | 7/16 | 3/16 | 3.20 |
| 2AK54H | 5.25 | 5.00 | 4.66 | 2 | 1 1/2 | 1 3/8 | 1 1/4 | 1/16 | - | 7/8 | 7/16 | 3/16 | 3.40 |
| 2AK56H | 5.45 | 5.20 | 4.86 | 2 | 1 1/2 | 1 3/8 | 1 1/4 | 1/16 | - | 7/8 | 7/16 | 3/16 | 3.60 |
| 2AK59H | 5.75 | 5.50 | 5.16 | 3 | 1 1/2 | 1 3/8 | 1 1/4 | 1/16 | 0 | 7/8 | 7/16 | 3/16 | 3.40 |
| 2AK61H | 5.95 | 5.70 | 5.36 | 3 | 1 1/2 | 1 3/8 | 1 1/4 | 1/16 | 0 | 7/8 | 7/16 | 3/16 | 3.30 |
| 2AK64H | 6.25 | 6.00 | 5.66 | 3 | 1 1/2 | 1 3/8 | 1 1/4 | 1/16 | 0 | 7/8 | 7/16 | 3/16 | 3.90 |
| 2AK74H | 7.25 | 7.00 | 6.66 | 3 | 1 1/2 | 1 3/8 | 1 1/4 | 1/16 | 0 | 7/8 | 7/16 | 3/16 | 4.90 |
| 2AK84H | 8.25 | 8.00 | 7.66 | 3 | 1 1/2 | 1 3/8 | 1 1/4 | 1/16 | 0 | 7/8 | 7/16 | 3/16 | 5.80 |
| 2AK94H | 9.25 | 9.00 | 8.66 | 3 | 1 1/2 | 1 3/8 | 1 1/4 | 1/16 | 0 | 7/8 | 7/16 | 3/16 | 6.10 |
| 2AK104H | 10.25 | 10.00 | 9.66 | 3 | 1 1/2 | 1 3/8 | 1 1/4 | 1/16 | 0 | 7/8 | 7/16 | 3/16 | 7.70 |
| 2AK114H | 11.25 | 11.00 | 10.66 | 3 | 1 1/2 | 1 3/8 | 1 1/4 | 1/16 | 0 | 7/8 | 7/16 | 3/16 | 8.50 |
| 2AK124H | 12.25 | 12.00 | 11.66 | 3 | 1 1/2 | 1 3/8 | 1 1/4 | 1/16 | 0 | 7/8 | 7/16 | 3/16 | 9.50 |
| 2AK134H | 13.25 | 13.00 | 12.66 | 3 | 1 1/2 | 1 3/8 | 1 1/4 | 1/16 | 0 | 7/8 | 7/16 | 3/16 | 11.40 |
| 2AK144H | 14.25 | 14.00 | 13.66 | 3 | 1 1/2 | 1 3/8 | 1 1/4 | 1/16 | 0 | 7/8 | 7/16 | 3/16 | 11.90 |
| 2AK154H | 15.25 | 15.00 | 14.66 | 3 | 1 1/2 | 1 3/8 | 1 1/4 | 1/16 | 0 | 7/8 | 7/16 | 3/16 | 13.30 |
| 2AK184H | 18.25 | 18.00 | 17.66 | 3 | 1 1/2 | 1 3/8 | 1 1/4 | 1/16 | 0 | 7/8 | 7/16 | 3/16 | 16.80 |





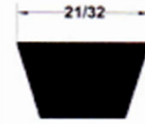
TRITAN

PRECISION POWER TRANSMISSION COMPONENTS

Cast Iron Sheaves

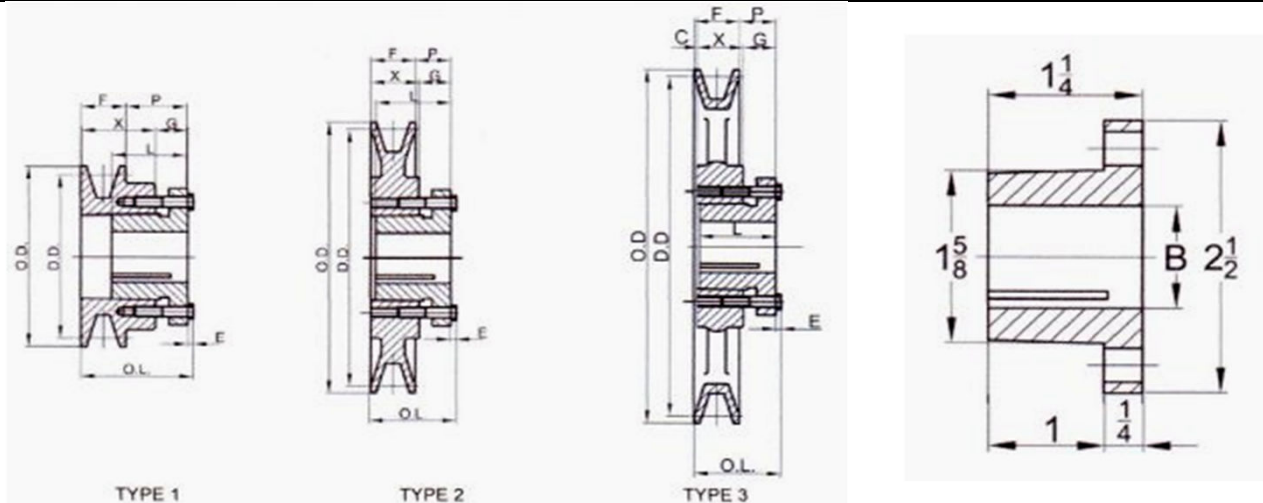
BK..H

Single Groove Taper Bushed Sheaves for "4L" or "A" Belts



"3L" Belts may be used with these sheaves as indicated in table below

| PART NO. | DIAMETERS | | | Type | DIMENSIONS | | | | | | | | Wt. less Bush. |
|----------|-----------|-----------|------------|------|------------|------|--------|------|-------|---------|-------|-------|----------------|
| | O.D. | Datum "A" | Pitch "3L" | | O.L. | F | L | P | C | X | G | E | |
| BK30H | 3.15 | 2.40 | 2.80 | 1 | 1 15/16" | 7/8" | 1 1/4" | 7/8" | - | 1 5/16" | 7/16" | 3/16" | 1.20 |
| BK32H | 3.35 | 2.60 | 3.00 | 1 | 1 15/16" | 7/8 | 1 1/4 | 7/8 | - | 1 5/16 | 7/16 | 3/16 | 1.40 |
| BK34H | 3.55 | 2.80 | 3.20 | 1 | 1 15/16" | 7/8 | 1 1/4 | 7/16 | - | 1 5/16 | 7/16 | 3/16 | 1.60 |
| BK36H | 3.75 | 3.00 | 3.40 | 2 | 1 1/2 | 7/8 | 1 1/4 | 7/16 | - | 7/8" | 7/16 | 3/16 | 1.20 |
| BK40H | 3.95 | 3.20 | 3.60 | 2 | 1 1/2 | 7/8 | 1 1/4 | 7/16 | - | 7/8 | 7/16 | 3/16 | 1.40 |
| BK45H | 4.25 | 3.50 | 3.90 | 2 | 1 1/2 | 7/8 | 1 1/4 | 7/16 | - | 7/8 | 7/16 | 3/16 | 1.80 |
| BK47H | 4.45 | 3.70 | 4.10 | 2 | 1 1/2 | 7/8 | 1 1/4 | 7/16 | - | 7/8 | 7/16 | 3/16 | 2.20 |
| BK50H | 4.75 | 4.00 | 4.40 | 2 | 1 1/2 | 7/8 | 1 1/4 | 7/16 | - | 7/8 | 7/16 | 3/16 | 2.00 |
| BK52H | 4.95 | 4.20 | 4.60 | 2 | 1 1/2 | 7/8 | 1 1/4 | 7/16 | - | 7/8 | 7/16 | 3/16 | 2.10 |
| BK55H | 5.25 | 4.50 | 4.90 | 2 | 1 1/2 | 7/8 | 1 1/4 | 7/16 | - | 7/8 | 7/16 | 3/16 | 2.70 |
| BK57H | 5.45 | 4.70 | 5.10 | 2 | 1 1/2 | 7/8 | 1 1/4 | 7/16 | - | 7/8 | 7/16 | 3/16 | 2.70 |
| BK60H | 5.75 | 5.00 | 5.40 | 2 | 1 1/2 | 7/8 | 1 1/4 | 7/16 | - | 7/8 | 7/16 | 3/16 | 2.50 |
| BK62H | 5.95 | 5.20 | 5.60 | 2 | 1 1/2 | 7/8 | 1 1/4 | 7/16 | - | 7/8 | 7/16 | 3/16 | 2.60 |
| BK65H | 6.25 | 5.50 | 5.90 | 2 | 1 1/2 | 7/8 | 1 1/4 | 7/16 | - | 7/8 | 7/16 | 3/16 | 2.80 |
| BK67H | 6.45 | 5.70 | 6.10 | 2 | 1 1/2 | 7/8 | 1 1/4 | 7/16 | - | 7/8 | 7/16 | 3/16 | 2.90 |
| BK70H | 6.75 | 6.00 | 6.40 | 3 | 1 9/16 | 7/8 | 1 1/4 | 1/2 | 1/16" | 7/8 | 7/16 | 3/16 | 2.80 |
| BK72H | 6.95 | 6.20 | 6.60 | 3 | 1 9/16 | 7/8 | 1 1/4 | 1/2 | 1/16" | 7/8 | 7/16 | 3/16 | 3.10 |
| BK75H | 7.25 | 6.50 | 6.90 | 3 | 1 9/16 | 7/8 | 1 1/4 | 1/2 | 1/16" | 7/8 | 7/16 | 3/16 | 3.30 |
| BK77H | 7.45 | 6.70 | 7.10 | 3 | 1 9/16 | 7/8 | 1 1/4 | 1/2 | 1/16" | 7/8 | 7/16 | 3/16 | 3.80 |
| BK80H | 7.75 | 7.00 | 7.40 | 3 | 1 9/16 | 7/8 | 1 1/4 | 1/2 | 1/16" | 7/8 | 7/16 | 3/16 | 3.40 |
| BK85H | 8.25 | 7.50 | 7.90 | 3 | 1 9/16 | 7/8 | 1 1/4 | 1/2 | 1/16" | 7/8 | 7/16 | 3/16 | 3.80 |
| BK90H | 8.75 | 8.00 | 8.40 | 3 | 1 9/16 | 7/8 | 1 1/4 | 1/2 | 1/16" | 7/8 | 7/16 | 3/16 | 4.30 |
| BK95H | 9.25 | 8.50 | 8.90 | 3 | 1 9/16 | 7/8 | 1 1/4 | 1/2 | 1/16" | 7/8 | 7/16 | 3/16 | 5.00 |
| BK100H | 9.75 | 9.00 | 9.40 | 3 | 1 9/16 | 7/8 | 1 1/4 | 1/2 | 1/16" | 7/8 | 7/16 | 3/16 | 5.20 |
| BK105H | 10.25 | 9.50 | 9.90 | 3 | 1 9/16 | 7/8 | 1 1/4 | 1/2 | 1/16" | 7/8 | 7/16 | 3/16 | 5.50 |
| BK110H | 10.75 | 10.00 | 10.40 | 3 | 1 9/16 | 7/8 | 1 1/4 | 1/2 | 1/16" | 7/8 | 7/16 | 3/16 | 6.00 |
| BK115H | 11.25 | 10.50 | 10.90 | 3 | 1 9/16 | 7/8 | 1 1/4 | 1/2 | 1/16" | 7/8 | 7/16 | 3/16 | 6.40 |
| BK120H | 11.75 | 11.00 | 11.40 | 3 | 1 9/16 | 7/8 | 1 1/4 | 1/2 | 1/16" | 7/8 | 7/16 | 3/16 | 6.90 |
| BK130H | 12.75 | 12.00 | 12.40 | 3 | 1 9/16 | 7/8 | 1 1/4 | 1/2 | 1/16" | 7/8 | 7/16 | 3/16 | 6.90 |
| BK140H | 13.75 | 13.00 | 13.40 | 3 | 1 9/16 | 7/8 | 1 1/4 | 1/2 | 1/16" | 7/8 | 7/16 | 3/16 | 8.50 |
| BK160H | 15.75 | 15.00 | 15.40 | 3 | 1 9/16 | 7/8 | 1 1/4 | 1/2 | 1/16" | 7/8 | 7/16 | 3/16 | 9.80 |
| BK190H | 18.75 | 18.00 | 18.40 | 3 | 1 9/16 | 7/8 | 1 1/4 | 1/2 | 1/16" | 7/8 | 7/16 | 3/16 | 12.80 |



TYPE 1

TYPE 2

TYPE 3



TRITAN

PRECISION POWER TRANSMISSION COMPONENTS

Cast Iron Sheaves

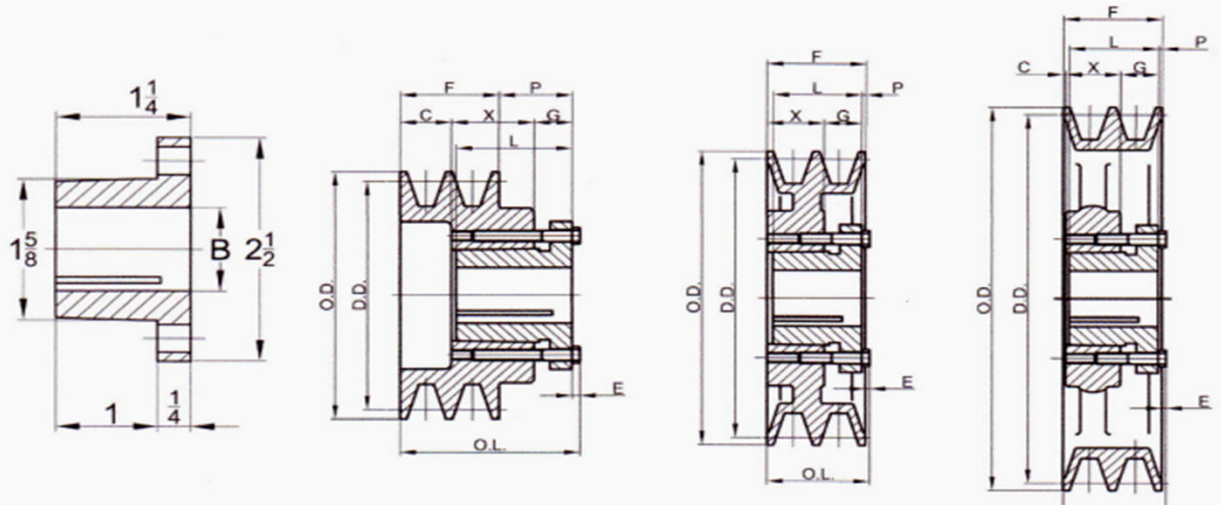
2BK..H

Single Groove Taper Bushed Sheaves for "4L" or "A" Belts



"3L" Belts may be used with these sheaves as indicated in table below

| PART NO. | DIAMETERS | | | Type | DIMENSIONS | | | | | | | | Wt. less Bush. |
|----------|-----------|-----------|------------|------|------------|--------|--------|------|---------|------|-------|-------|----------------|
| | O.D. | Datum "A" | Pitch "3L" | | O.L. | F | L | P | C | X | G | E | |
| 2BK32H | 3.35" | 2.6" | 3" | 1 | 2 13/16" | 1 3/4" | 1 1/4" | 7/8" | 1 5/16" | 7/8" | 7/16" | 3/16" | 2.10 |
| 2BK34H | 3.55 | 2.80 | 3.20 | 1 | 2 13/16 | 1 3/4 | 1 1/4 | 7/8 | 1 5/16 | 7/8 | 7/16 | 3/16 | 2.40 |
| 2BK36H | 3.75 | 3.00 | 3.40 | 1 | 2 3/8 | 1 3/4 | 1 1/4 | 7/16 | 7/8 | 7/8 | 7/16 | 3/16 | 2.00 |
| 2BK40H | 3.95 | 3.20 | 3.60 | 1 | 2 3/8 | 1 3/4 | 1 1/4 | 7/16 | 7/8 | 7/8 | 7/16 | 3/16 | 2.40 |
| 2BK45H | 4.25 | 3.50 | 3.90 | 1 | 2 3/8 | 1 3/4 | 1 1/4 | 7/16 | 7/8 | 7/8 | 7/16 | 3/16 | 3.00 |
| 2BK47H | 4.45 | 3.70 | 4.10 | 2 | 1 3/4 | 1 3/4 | 1 1/4 | 7/16 | - | 7/8 | 7/16 | 3/16 | 2.80 |
| 2BK50H | 4.75 | 4.00 | 4.40 | 2 | 1 3/4 | 1 3/4 | 1 1/4 | 7/16 | - | 7/8 | 7/16 | 3/16 | 3.30 |
| 2BK52H | 4.95 | 4.20 | 4.60 | 2 | 1 3/4 | 1 3/4 | 1 1/4 | 7/16 | - | 7/8 | 7/16 | 3/16 | 3.60 |
| 2BK55H | 5.25 | 4.50 | 4.90 | 2 | 1 3/4 | 1 3/4 | 1 1/4 | 7/16 | - | 7/8 | 7/16 | 3/16 | 3.90 |
| 2BK57H | 5.45 | 4.70 | 5.10 | 2 | 1 3/4 | 1 3/4 | 1 1/4 | 7/16 | - | 7/8 | 7/16 | 3/16 | 4.30 |
| 2BK60H | 5.75 | 5.00 | 5.40 | 2 | 1 3/4 | 1 3/4 | 1 1/4 | 7/16 | - | 7/8 | 7/16 | 3/16 | 4.40 |
| 2BK62H | 5.95 | 5.20 | 5.60 | 2 | 1 3/4 | 1 3/4 | 1 1/4 | 7/16 | - | 7/8 | 7/16 | 3/16 | 4.50 |
| 2BK65H | 6.25 | 5.50 | 5.90 | 3 | 1 3/4 | 1 3/4 | 1 1/4 | 7/16 | 1/4 | 7/8 | 7/16 | 3/16 | 4.50 |
| 2BK67H | 6.45 | 5.70 | 6.10 | 3 | 1 3/4 | 1 3/4 | 1 1/4 | 7/16 | 1/4 | 7/8 | 7/16 | 3/16 | 5.00 |
| 2BK70H | 6.75 | 6.00 | 6.40 | 3 | 1 3/4 | 1 3/4 | 1 1/4 | 7/16 | 1/4 | 7/8 | 7/16 | 3/16 | 5.10 |
| 2BK80H | 7.75 | 7.00 | 7.40 | 3 | 1 3/4 | 1 3/4 | 1 1/4 | 7/16 | 1/4 | 7/8 | 7/16 | 3/16 | 6.40 |
| 2BK90H | 8.75 | 8.00 | 8.40 | 3 | 1 3/4 | 1 3/4 | 1 1/4 | 7/16 | 1/4 | 7/8 | 7/16 | 3/16 | 7.60 |
| 2BK100H | 9.75 | 9.00 | 9.40 | 3 | 1 3/4 | 1 3/4 | 1 1/4 | 7/16 | 1/4 | 7/8 | 7/16 | 3/16 | 8.40 |
| 2BK110H | 10.75 | 10.00 | 10.40 | 3 | 1 3/4 | 1 3/4 | 1 1/4 | 7/16 | 1/4 | 7/8 | 7/16 | 3/16 | 9.30 |
| 2BK120H | 11.75 | 11.00 | 11.40 | 3 | 1 3/4 | 1 3/4 | 1 1/4 | 7/16 | 1/4 | 7/8 | 7/16 | 3/16 | 11.00 |
| 2BK130H | 12.75 | 12.00 | 12.40 | 3 | 1 3/4 | 1 3/4 | 1 1/4 | 7/16 | 1/4 | 7/8 | 7/16 | 3/16 | 13.10 |
| 2BK140H | 13.75 | 13.00 | 13.40 | 3 | 1 3/4 | 1 3/4 | 1 1/4 | 7/16 | 1/4 | 7/8 | 7/16 | 3/16 | 14.80 |
| 2BK160H | 15.75 | 15.00 | 15.40 | 3 | 1 3/4 | 1 3/4 | 1 1/4 | 7/16 | 1/4 | 7/8 | 7/16 | 3/16 | 17.50 |
| 2BK190H | 18.75 | 18.00 | 18.40 | 3 | 1 3/4 | 1 3/4 | 1 1/4 | 7/16 | 1/4 | 7/8 | 7/16 | 3/16 | 21.50 |





TRITAN

PRECISION POWER TRANSMISSION COMPONENTS

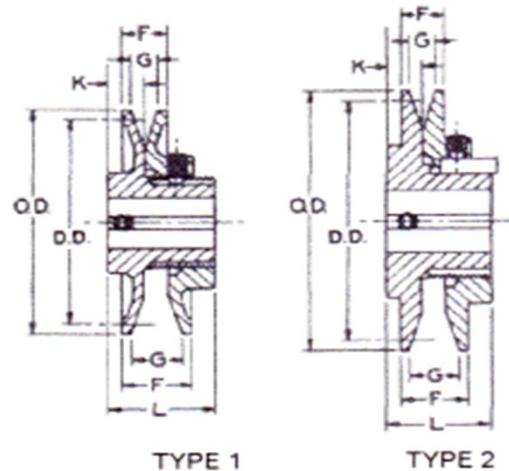
Cast Iron Sheaves

1VP

Single Groove Variable Pitch Sheaves for "3L", "4L", "5L", "A", "B" or "5v" Belts

| Part No. | Type | DIAMETER RANGE | | | | | | | | | | | | | | | | Stock Bores |
|----------|------|----------------|------------|------------|------------|-------------------|------------|------------|------------|-------------------|------------|------------|------------|------------|------------|------------|------------|---------------------------------------|
| | | "3L" BELTS | | | | "4L" or "A" BELTS | | | | "5L" or "B" BELTS | | | | "5V" BELTS | | | | |
| | | Min. Pitch | Turns Open | Max. Pitch | Turns Open | Min. Pitch | Turns Open | Max. Pitch | Turns Open | Min. Pitch | Turns Open | Max. Pitch | Turns Open | Min. Pitch | Turns Open | Max. Pitch | Turns Open | |
| 1VP25 | 1 | 1.4 | 4 | 2.2 | 0 | | | | | | | | | | | | | 1/2 |
| 1VP30 | 1 | 1.80 | 4.00 | 2.70 | 0.00 | | | | | | | | | | | | | 1/2, 5/8, 3/4 |
| 1VP34 | 1 | 1.70 | 4.00 | 2.50 | 0.00 | 1.90 | 5.00 | 2.90 | 0.00 | 2.40 | 5.00 | 3.20 | 1.00 | | | | | 1/2, 5/8, 3/4, 7/8 |
| 1VP40 | 1 | 2.30 | 4.00 | 3.10 | 0.00 | 2.40 | 5.00 | 3.40 | 0.00 | 2.70 | 6.00 | 3.70 | 1.00 | | | | | 1/2, 5/8, 3/4 |
| 1VP44 | 1 | 2.70 | 4.00 | 3.50 | 0.00 | 2.80 | 5.00 | 3.80 | 0.00 | 3.10 | 6.00 | 4.10 | 1.00 | | | | | 7/8, 1, 1 1/8 |
| 1VP44 | 2 | 2.70 | 4.00 | 3.50 | 0.00 | 2.80 | 5.00 | 3.80 | 0.00 | 3.10 | 6.00 | 4.10 | 1.00 | | | | | 7/8, 1, 1 1/8 |
| 1VP50 | 2 | 3.30 | 4.00 | 4.10 | 0.00 | 3.40 | 5.00 | 4.40 | 0.00 | 3.70 | 6.00 | 4.70 | 1.00 | | | | | 7/8, 1, 1 1/8 |
| 1VP50 | 2 | 3.30 | 4.00 | 4.10 | 0.00 | 3.40 | 5.00 | 4.40 | 0.00 | 3.70 | 6.00 | 4.70 | 1.00 | | | | | 7/8, 1, 1 1/8 |
| 1VP56 | 1 | 3.90 | 4.00 | 4.70 | 0.00 | 4.00 | 5.00 | 5.00 | 0.00 | 4.30 | 6.00 | 5.30 | 1.00 | | | | | 1/2, 5/8, 3/4 |
| 1VP56 | 2 | 3.90 | 4.00 | 4.70 | 0.00 | 4.00 | 5.00 | 5.00 | 0.00 | 4.30 | 6.00 | 5.30 | 1.00 | | | | | 7/8, 1, 1 1/8 |
| 1VP60 | 2 | | | | | 4.20 | 5.00 | 5.20 | 0.00 | 4.30 | 6.00 | 5.50 | 0.00 | | | | | 3/4, 7/8, 1 1/8, 1 3/8, 1 5/8 |
| 1VP62 | 2 | 4.50 | 4.00 | 5.30 | 0.00 | 4.60 | 5.00 | 5.60 | 0.00 | 4.90 | 6.00 | 5.90 | 1.00 | 5.3 | 6 | 6.3 | 1 | 5/8, 3/4, 7/8, 1, 1 1/8, 1 1/4, 1 3/8 |
| 1VP65 | 2 | | | | | 4.70 | 5.00 | 5.70 | 0.00 | 4.80 | 6.00 | 6.00 | 0.00 | 5.2 | 6 | 6.4 | 0 | 3/4, 7/8, 1 1/8, 1 3/8, 1 5/8 |
| 1VP68 | 2 | 5.10 | 4.00 | 5.90 | 0.00 | 5.20 | 5.00 | 6.20 | 0.00 | 5.50 | 6.00 | 6.50 | 1.00 | 5.9 | 6 | 6.9 | 1 | 5/8, 3/4, 7/8, 1, 1 1/8, 1 1/4, 1 3/8 |
| 1VP71 | 2 | | | | | 5.30 | 5.00 | 6.30 | 0.00 | 5.40 | 6.00 | 6.60 | 0.00 | 5.8 | 6 | 7.0 | 0 | 3/4, 7/8, 1 1/8, 1 3/8, 1 5/8 |
| 1VP75 | 2 | | | | | 5.70 | 5.00 | 6.70 | 0.00 | 5.80 | 6.00 | 7.00 | 0.00 | 6.2 | 6 | 7.4 | 0 | 3/4, 7/8, 1 1/8, 1 3/8, 1 5/8 |

| Part No. | Type | O.D. | F | | G | | L | K | Wt. Lbs. |
|----------|------|------|--------|-------|--------|-------|---------|-------|----------|
| | | | Max. | Min. | Max. | Min. | | | |
| 1VP25 | 1 | 2.32 | 13/16 | 9/16 | 5/8 | 3/8 | 1 19/32 | 5/8 | 0.70 |
| 1VP30 | 1 | 2.87 | 13/16 | 9/16 | 5/8 | 3/8 | 1 21/32 | 19/32 | 1.10 |
| 1VP34 | 1 | 3.15 | 1 | 11/16 | 13/16 | 1/2 | 1 7/8 | 21/32 | 1.40 |
| 1VP40 | 1 | 3.75 | 1 1/16 | 11/16 | 7/8 | 1/2 | 1 7/8 | 21/32 | 1.90 |
| 1VP44 | 1 | 4.15 | 1 1/16 | 11/16 | 7/8 | 1/2 | 1 7/8 | 21/32 | 2.40 |
| 1VP44 | 2 | 4.15 | 1 1/8 | 3/4 | 7/8 | 1/2 | 1 7/8 | 11/16 | 2.90 |
| 1VP50 | 1 | 4.75 | 1 1/16 | 11/16 | 7/8 | 1/2 | 2 | 25/32 | 2.90 |
| 1VP50 | 2 | 4.75 | 1 1/8 | 3/4 | 7/8 | 1/2 | 1 7/8 | 11/16 | 3.60 |
| 1VP56 | 1 | 5.35 | 1 1/16 | 11/16 | 7/8 | 1/2 | 1 7/8 | 21/32 | 3.80 |
| 1VP56 | 2 | 5.35 | 1 1/8 | 3/4 | 7/8 | 1/2 | 1 7/8 | 11/16 | 4.40 |
| 1VP60 | 2 | 6.00 | 1 1/4 | 7/8 | 1 1/32 | 21/32 | 1 21/32 | 7/16 | 6.50 |
| 1VP62 | 2 | 5.95 | 1 1/8 | 3/4 | 7/8 | 1/2 | 1 29/32 | 21/32 | 6.10 |
| 1VP65 | 2 | 6.50 | 1 1/4 | 7/8 | 1 1/32 | 21/32 | 1 21/32 | 7/16 | 6.80 |
| 1VP68 | 2 | 6.55 | 1 1/8 | 3/4 | 7/8 | 1/2 | 1 29/32 | 21/32 | 7.30 |
| 1VP71 | 2 | 7.10 | 1 1/4 | 7/8 | 1 1/32 | 21/32 | 1 21/32 | 7/16 | 8.20 |
| 1VP75 | 2 | 7.50 | 1 1/4 | 7/8 | 1 1/32 | 21/32 | 1 21/32 | 7/16 | 9.20 |





TRITAN

PRECISION POWER TRANSMISSION COMPONENTS

Cast Iron Sheaves

2VP

Two Groove Variable Pitch Sheaves for "3L", "4L", "5L", "A", "B" or "5v" Belts

| Part No. | Type | DIAMETER RANGE | | | | | | | | | | | | | | | | Stock Bores |
|----------|------|----------------|------------|------------|------------|-------------------|------------|------------|------------|-------------------|------------|------------|------------|------------|------------|------------|------------|----------------------------------|
| | | "3L" BELTS | | | | "4L" or "A" BELTS | | | | "5L" or "B" BELTS | | | | "5V" BELTS | | | | |
| | | Min. Pitch | Turns Open | Max. Pitch | Turns Open | Min. Pitch | Turns Open | Max. Pitch | Turns Open | Min. Pitch | Turns Open | Max. Pitch | Turns Open | Min. Pitch | Turns Open | Max. Pitch | Turns Open | |
| 2VP36 | 4 | 1.90 | 4.00 | 2.70 | 0.00 | 2.00 | 5.00 | 3.00 | 0.00 | 2.50 | 5.00 | 3.30 | 1.00 | | | | | 1/2, 5/8, 3/4, 7/8 |
| 2VP42 | 4 | 2.50 | 4.00 | 3.30 | 0.00 | 2.60 | 5.00 | 3.60 | 0.00 | 2.90 | 6.00 | 3.90 | 1.00 | | | | | 5/8, 3/4, 7/8, 1, 1 1/8 |
| 2VP50 | 5 | 3.30 | 4.00 | 4.10 | 0.00 | 3.40 | 5.00 | 4.40 | 0.00 | 3.70 | 6.00 | 4.70 | 1.00 | | | | | 5/8, 3/4, 7/8, 1, 1 1/8 |
| 2VP56 | 5 | 3.90 | 4.00 | 4.70 | 0.00 | 4.00 | 5.00 | 5.00 | 0.00 | 4.30 | 6.00 | 5.30 | 1.00 | | | | | 5/8, 3/4, 7/8, 1, 1 1/8 |
| 2VP60 | 5 | | | | | 4.20 | 5.00 | 5.20 | 0.00 | 4.30 | 6.00 | 5.50 | 0.00 | | | | | 3/4, 7/8, 1 1/8, 1 3/8, 1 5/8 |
| 2VP62 | 5 | 4.50 | 4.00 | 5.30 | 0.00 | 4.60 | 5.00 | 5.60 | 0.00 | 4.90 | 6.00 | 5.90 | 1.00 | 5.3 | 6 | 6.3 | 1 | 3/4, 7/8, 1, 1 1/8, 1 1/4, 1 3/8 |
| 2VP65 | 5 | | | | | 4.70 | 5.00 | 5.70 | 0.00 | 4.80 | 6.00 | 6.00 | 0.00 | 5.2 | 6 | 6.4 | 0 | 3/4, 7/8, 1 1/8, 1 3/8, 1 5/8 |
| 2VP68 | 5 | 5.10 | 4.00 | 5.90 | 0.00 | 5.20 | 5.00 | 6.20 | 0.00 | 5.50 | 6.00 | 6.50 | 1.00 | 5.9 | 6 | 6.9 | 1 | 7/8, 1, 1 1/8, 1 1/4, 1 3/8 |
| 2VP71 | 5 | | | | | 5.30 | 5.00 | 6.30 | 0.00 | 5.40 | 6.00 | 6.60 | 0.00 | 5.8 | 6 | 7.0 | 0 | 3/4, 7/8, 1 1/8, 1 3/8, 1 5/8 |
| 2VP75 | 5 | | | | | 5.70 | 5.00 | 6.70 | 0.00 | 5.80 | 6.00 | 7.00 | 0.00 | 6.2 | 6 | 7.4 | 0 | 3/4, 7/8, 1 1/8, 1 3/8, 1 5/8 |

| Part No. | Type | O.D. | F | | G | | L | K | Wt. Lbs. |
|----------|------|------|-------|-------|--------|-------|-------|--------|----------|
| | | | Max. | Min. | Max. | Min. | | | |
| 2VP36 | 4 | 3.35 | 2 | 1 3/8 | 13/16 | 1/2 | 3 | 1 3/16 | 3.40 |
| 2VP42 | 4 | 3.95 | 2 1/8 | 1 3/8 | 7/8 | 1/2 | 3 | 1 3/16 | 4.40 |
| 2VP50 | 5 | 4.75 | 2 1/8 | 1 3/8 | 7/8 | 1/2 | 3 | 1 3/16 | 6.30 |
| 2VP56 | 5 | 5.35 | 2 1/8 | 1 3/8 | 7/8 | 1/2 | 3 | 1 3/16 | 7.80 |
| 2VP60 | 5 | 6.00 | 2 3/8 | 1 5/8 | 1 1/32 | 21/32 | 3 1/4 | 1 1/4 | 10.60 |
| 2VP62 | 5 | 5.95 | 2 1/8 | 1 3/8 | 7/8 | 1/2 | 3 | 1 3/16 | 10.00 |
| 2VP65 | 5 | 6.50 | 2 3/8 | 1 5/8 | 1 1/32 | 21/32 | 3 1/4 | 1 1/4 | 12.30 |
| 2VP68 | 5 | 6.55 | 2 1/8 | 1 3/8 | 7/8 | 1/2 | 3 | 1 3/16 | 11.70 |
| 2VP71 | 5 | 7.10 | 2 3/8 | 1 5/8 | 1 1/32 | 21/32 | 3 1/4 | 1 1/4 | 14.60 |
| 2VP75 | 5 | 7.50 | 2 3/8 | 1 5/8 | 1 1/32 | 21/32 | 3 1/4 | 1 1/4 | 16.50 |

Standard Keyseats

| Bore Range | Keyseat |
|------------|------------|
| 1/2 | None |
| 5/8-7/8 | 3/16x 3/32 |
| 1-1 1/4 | 1/4 x 1/8" |
| 1 3/8 | 5/16x5/32 |

