

SA (L) SERIES

Precision construction provides steel on steel contact for lubricity, smoother operation, and provides long dynamic life.

Material

Ball: 52100/MoS2 Coated

Body: Carbon Steel Zinc Plated

Race: 52100 MoS2 Coated

Applications:

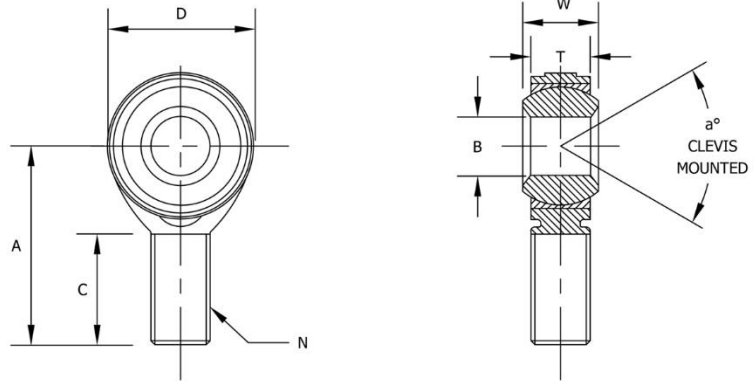
Precision Machinery

Industrial Equipment

Farm Machinery

Truck/Bus/Off Highway Vehicles

Recreational Vehicles



TRITAN#	SKF #	INA	Cons #
SA(L) 12E	SA(L) 12E	GAR/GAL 12DO	SA(L) 12E
SA(L) 15ES	SA(L) 15ES	GAR/GAL 15DO	SA(L) 15ES
SA(L) 25ES	SA(L) 25ES	GAR/GAL 25DO	SA(L) 25ES
SA(L) 30ES	SA(L) 30ES	GAR/GAL 30DO	SA(L) 30ES
SA(L)A 40ES	SA(L)A 40ES	GAR/GAL 40DO	SA(L)C 40ES
SA(L)A 50ES	SA(L)A 50ES	GAR/GAL 50DO	SA(L)C 50ES
SA(L)A 60ES	SA(L)A 60ES	GAR/GAL 60DO	SA(L)C 60ES
SA(L)A 70ES	SA(L)A 70ES	GAR/GAL 70DO	SA(L)C 70ES
SA(L)A 80ES	SA(L)A 80ES	GAR/GAL 80DO	SA(L)C 80ES

Male Rod Ends		B Dia.	D Dia.	W Width	T Width	Ball Dia.	A Length	N Thread	C Length	a° Mis. Angle	Ult. Static Radial Load (lbs)	Approx. Weight (lbs)
Right Hand Part No.	Left Hand Part No.	+0.0025 -0.0005	+0.010 -0.010	+0.005 -0.005	Ref.	Ref.	+0.015 -0.015	UNF 3A	+0.062 -0.031	Ref.		
SA5E	SAL5E	5	21	6	4.5	10	46.5	M5	16	13	877	0.04
SA6E	SAL6E	6	21	6	4.5	10	46.5	M6	16	13	1236	0.04
SA8E	SAL8E	8	24	8	6.5	13	54	M8	21	15	2248	0.06
SA10E	SAL10E	10	29	9	7.5	16	62.5	M10	26	12	3597	0.11
SA12E	SAL12E	12	34	10	8.5	18	71	M12	28	10	5171	0.15
SA15ES	SAL15ES	15	40	12	10.5	22	83	M14	34	8	7194	0.26
SA17ES 2RS	SAL17ES 2RS	17	46	14	11.5	25	92	M16	36	10	9892	0.42
SA20ES 2RS	SAL20ES 2RS	20	53	16	13.5	29	104.5	M20x1.5	43	9	13489	0.68
SA25ES 2RS	SAL25ES 2RS	25	64	20	18	35.5	126	M24x2	53	7	18659	1.23
SA30ES 2RS	SAL30ES 2RS	30	73	22	20	40.7	146.5	M30x2	65	6	24729	1.96
SA35ES 2RS	SAL35ES 2RS	35	82	25	22	47	181	M36x3	82	6	32822	3.09
SAA40ES 2RS	SALA40ES 2RS	40	92	28	24	53	196	M39x3	86	7	40466	3.97
SAA45ES 2RS	SALA45ES 2RS	45	102	32	28	60	214	M42x3	92	7	53954	5.51
SAA50ES 2RS	SALA50ES 2RS	50	112	35	31	66	241	M45x3	104	6	65195	7.94
SAA60ES 2RS	SALA60ES 2RS	60	135	44	39	80	277.5	M52x3	115	6	101164	12.57
SAA70ES 2RS	SALA70ES 2RS	70	160	49	43	92	315	M56x4	125	6	137133	17.42
SAA80ES 2RS	SALA80ES 2RS	80	180	55	48	105	360	M64x4	140	6	168607	26.46

US Corporate Headquarters:
2100 Pacific Street
Hauppauge NY, 11788
www.tritanpt.com



Exclusively Distributed by:



888-4-Bearings

SI (L) SERIES

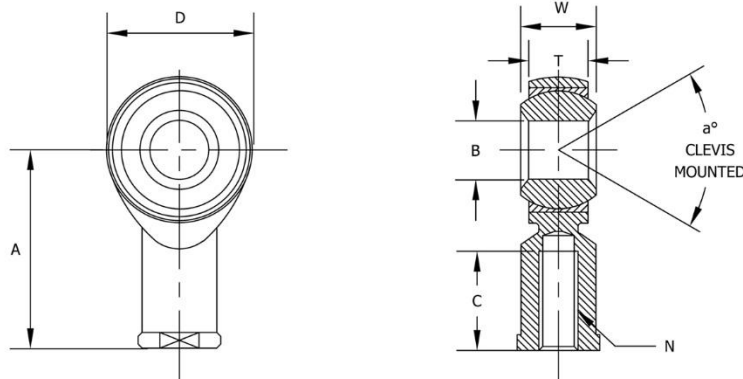
Precision construction provides steel on steel contact for lubricity, smoother operation, and provides long dynamic life.

Material

Ball: 52100/MoS2 Coated
 Body: Carbon Steel Zinc Plated
 Race: 52100 MoS2 Coated

Applications:

Precision Machinery
 Industrial Equipment
 Farm Machinery
 Truck/Bus/Off Highway Vehicles
 Recreational Vehicles



TRITAN#	SKF #	INA	Cons #
SI(L) 12E	SI(L) 12E	GIR/GIL 12DO	SI(L) 12E
SI(L) 15ES	SI(L) 15ES	GIR/GIL 15DO	SI(L) 15ES
SI(L) 25ES	SI(L) 25ES	GIR/GIL 25DO	SI(L) 25ES
SI(L) 30ES	SI(L) 30ES	GIR/GIL 30DO	SI(L) 30ES
SI(L)A 40ES	SI(L)A 40ES	GIR/GIL 40DO	SI(L)C 40ES
SI(L)A 50ES	SI(L)A 50ES	GIR/GIL 50DO	SI(L)C 50ES
SI(L)A 60ES	SI(L)A 60ES	GIR/GIL 60DO	SI(L)C 60ES
SI(L)A 70ES	SI(L)A 70ES	GIR/GIL 70DO	SI(L)C 70ES
SI(L)A 80ES	SI(L)A 80ES	GIR/GIL 80DO	SI(L)C 80ES

Female Rod Ends		B Dia.	D Dia.	W Width	T Width	Ball Dia.	A Length	N Thread	C Length	a° Mis. Angle	Ult. Static Radial Load (lbs)	Approx. Weight (lbs)
Right Hand Part No.	Left Hand Part No.	+0.0025 -0.0005	+0.010 -0.010	+0.005 -0.005	Ref.	Ref.	+0.015 -0.015	UNF 2B	+0.062 -0.031	Ref.		
SI5E	SIL5E	5	21	6	4.5	10	40.5	M5	11	13	1821	0.05
SI6E	SIL6E	6	21	6	4.5	10	40.5	M6	11	13	1821	0.05
SI8E	SIL8E	8	24	8	6.5	13	48	M8	15	15	2900	0.09
SI10E	SIL10E	10	29	9	7.5	16	57.5	M10	20	12	3957	0.14
SI12E	SIL12E	12	34	10	8.5	18	67	M12	23	10	5508	0.21
SI15ES	SIL15ES	15	40	12	10.5	22	81	M14	30	8	8093	0.35
SI17ES 2RS	SIL17ES 2RS	17	46	14	11.5	25	90	M16	34	10	10116	0.53
SI20ES 2RS	SIL20ES 2RS	20	53	16	13.5	29	103.5	M20x1.5	40	9	13489	0.77
SI25ES 2RS	SIL25ES 2RS	25	64	20	18	35.5	126	M24x2	48	7	18659	1.46
SI30ES 2RS	SIL30ES 2RS	30	73	22	20	40.7	146.5	M30x2	56	6	24729	2.16
SI35ES 2RS	SIL35ES 2RS	35	82	25	22	47	166	M36x3	60	6	32822	3.31
SIA40ES 2RS	SILA40ES 2RS	40	92	28	24	53	188	M39x3	65	7	40466	4.63
SIA45ES 2RS	SILA45ES 2RS	45	102	32	28	60	196	M42x3	65	7	53954	5.95
SIA50ES 2RS	SILA50ES 2RS	50	112	35	31	66	216	M45x3	68	6	65195	7.72
SIA60ES 2RS	SILA60ES 2RS	60	135	44	39	80	242.5	M52x3	70	6	101164	12.35
SIA70ES 2RS	SILA70ES 2RS	70	160	49	43	92	280	M56x4	80	6	137133	18.3
SIA80ES 2RS	SILA80ES 2RS	80	180	55	48	105	320	M64x4	85	6	168607	28.66

US Corporate Headquarters:
 2100 Pacific Street
 Hauppauge NY, 11788
www.tritanpt.com



Exclusively Distributed by:



888-4-Bearings